

S35-4

1/8 Off-Road Nitro RC Buggy



SWORKZ S35-4 INSTRUCTION MANUAL

S35-4

1/8 Off Road Nitro Power Pro Buggy

INSTRUCTION

The SWORKz S35-4 1/8 Nitro is designed for pure racing. The geometry of the car provides optimized corner speed compared with easy handling and maximum traction.

The S35-4 features a T7075 hard anodized and lightened aluminum chassis with a wide layout that was tested for a long time by our factory pilots to guarantee the best performance.

The totally new developed HET differentials are included too and provide a traction, that is not possible with old systems.

The new S35-4 comes with a lower shock layout in front and rear and the construction of the shocks is adapted to that new optimized layout. The fixed shock spring plates will make it almost impossible to lose them anymore.

The steering geometry, with new Ackerman and steering plates, gives the driver the feeling of total control over the S35-4.

With the toe in plates, which now contain square inserts, you can adjust the geometry of your SWORKz S35-4 to fit to every track layout and track condition. Lower arms in front and rear are made of a newly developed composite material and fit exactly to the new chassis geometry. Side guards were redesigned in the same way.

With the new lightened wing support you can adjust position and angle of the wing to give your SWORKz S35-4 the perfect balance on the track. Together with the optimized new body shell, the aerodynamic system is working perfectly together.

Another new development in our SWORKz S35-4 is the totally new rear hub. Composite material combined with Carbon plates gives you the possibility for various setups. The newly developed Composite material is working perfectly together with the HET differentials to provide maximum traction.

There many more small changes and smart ideas in your new SWORKz S35-4, that make the car being a real winner.

The secret of a modern racing car is the possibility to adapt the setup to every track for top pilots but also have a standard setup that works on most tracks for hobby pilots.

And your SWORKz S35-4 is having these two characteristics in perfection.

The SWORKz development team focused on using materials, corresponding to the highest quality standards, when designing the car. You will find only 100% SWORKz quality in the S35-4 kit.

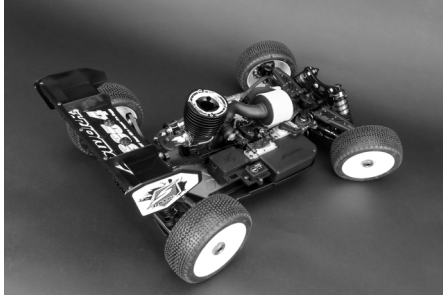
Congratulations on your purchase of the new SWORKz S35-4 1/8 scale off-road racing buggy pro kit and thanks for trusting in SWORKz.

Please read this manual carefully, before you start to build and drive your SWORKz S35-4. This manual contains step-by-step instructions to helping you completing, preparing and fine tuning your buggy for racing. Updates, setups, and product news will be posted on all SWORKz digital media.

As always, if you should ever have any questions or need help with your SWORKz products, please feel free to contact our official SWORKz dealers and distributors.

S35-4 Kit Features :

- New T7075 Hard Anodized, Lightend Aluminium Chassis
- New Wide Chassis Design
- New Lower Shock Towers
- New Shorter Shock Bodies
- New Shorter Shock Shafts
- New Shock Caps
- New Shorter Front Shock Springs
- New Fixed Shock Spring Holder
- New 3mm Updated Rear Shock Studs
- New Ackerman Plate
- New Steering System
- New Servo Saver Aluminium Part
- New Servo Saver Fixable Nut
- New Servo Saver Plate
- New Servo Saver Post Locking Design
- New Steering Balls
- New Steering Knuckle Plates
- New Updated Toe In Plates with Square Inserts
- New Lightweight Wing Mount
- New Side Guards
- New Lower Front and Rear Arms
- New Body Posts Front and Rear
- New Composite Rear Hubs with Carbon Plates
- New Multi Adjustable Ball System for Rear Upper Arms
- New Anticlock Screws for Shocks
- New Aerodinamically Optimized Body Shell
- 3 HET Differentials Included
- 2 Front Chassis Braces Included
- Black Competition Shock Springs Included
- Adjustable Wing Position
- Adjustable Wing Angle
- More Balance Weight Positions
- Stronger Downstop Area
- Optimized Composite Material
- Aluminium Parts in T7075



Specification	
Length:	510mm
Width:	308mm
Height:	220mm
Ground Clearance:	65mm
Wheelbase:	325-330mm
Track:	F:304mm / R:306mm
Gear Ratio:	C:46/13T, F/R:43/13T
Weight:	3400g(Race condition)

WARRANTY

Your SWORKz S35-4 kit warranty covers workmanship and manufacturing defects of the original and unmodified parts. Warranty claims resulting from crashes, abuse, improper operation, improper mounting, improper adjustment or lack of maintenance will not be honored.

Contact your local hobby shop or SWORKz distributor for all claims and questions. Claims must be well documented. All Claims are subject to expert examination approval by SWORKz.



INSTRUCTION	2
Warranty	3
INDEX	4
Required Equipment for Operation	5
Operation Guide	6
Assembly Steps	7-37
Set-up Sheet	38-39
S35-4 Key No. List	40
S35-4 Spare Part No. List	41-42
S35-4 Option Part No. List	43
End cover	44

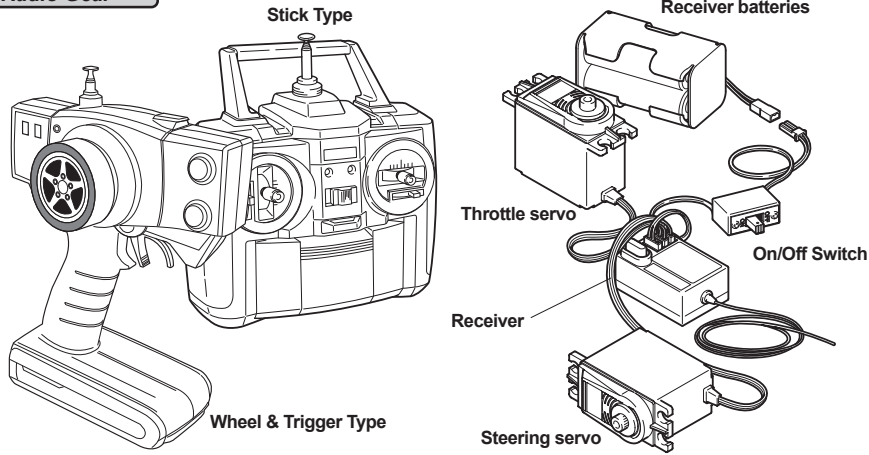


This radio controlled racing car is not a toy!

This high-performance R/C model is recommended for ages 14 and older.

Required Equipment for Operation

Radio Gear

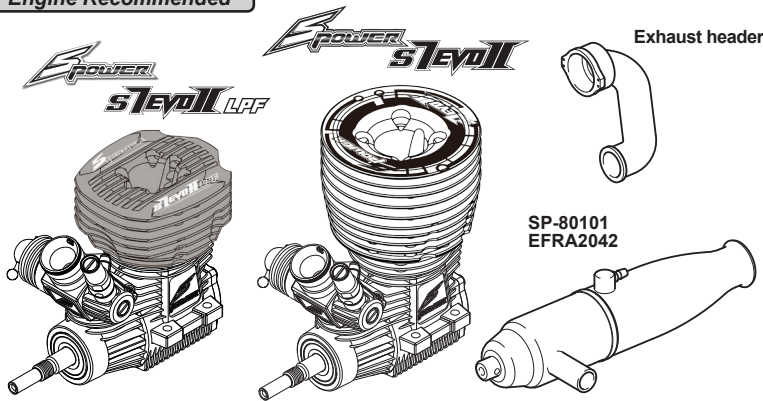


Nitro fuel

We recommend that you use fuel containing 20~25% nitro.

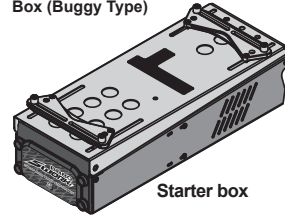


Engine Recommended



Engine Starting Equipment

SW-950001A SWORKz BB80 1/8 Off Road Starter Box (Buggy Type)

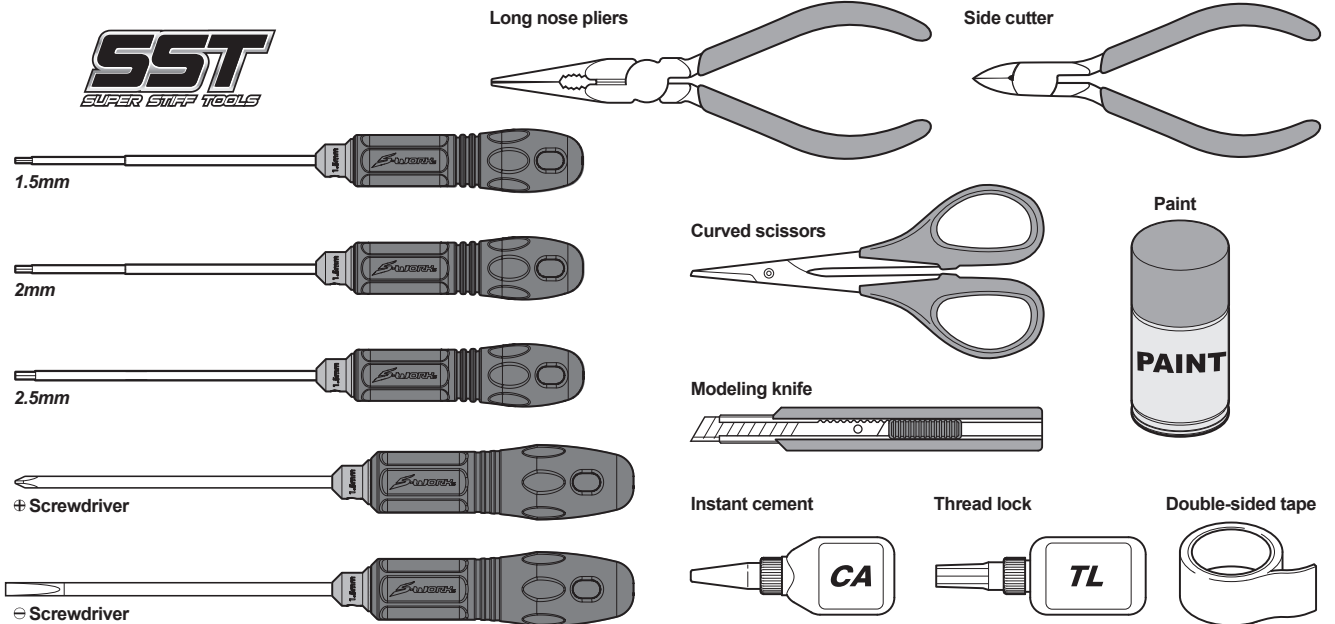


EPower ST-3 Turbo Plug ST-4 Turbo Plug

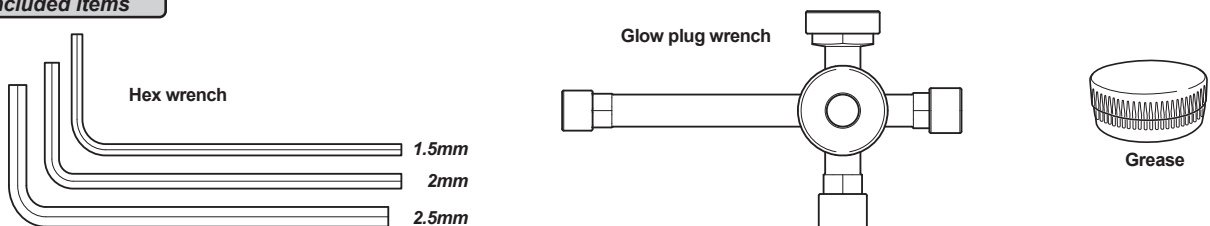


BB80 SWORKz 1/8 OFF ROAD STARTER BOX (BUGGY TYPE)

Tools Recommended



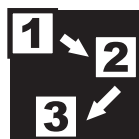
Included items



Operation Guide



Assemble front and rear



Assemble in the specified order



Assemble both left and right sides



Assemble for 2 sets



Assemble for 4 sets



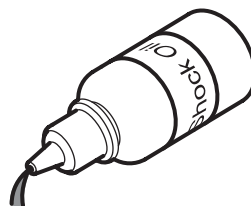
overturn



Thread Locking Compound



Grease



Pure Silicone Oil



Air filter oil

Safety Precautions

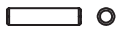
The SWORKz S35-4 is a high performance radio control model which needs to be operated with caution and common sense.

The S35-4 Kit is not intended for children under the age of 14 without adult supervision. SWORKz shall not be held liable for any loss or damages, whether direct, indirect, act of nature, arising from the abuse or misuse of this product or any other product required while operating this model.

- The nitro fuel can be dangerous is improperly handled.
- Always keep your nitro fuel in a cool area and never use near flame, sparks, or while smoking.
- Keep your nitro fuel, and all other flammables, out of the reach of children.
- Always run your model in a well ventilated area outdoors. Never run your model indoors.
- After running your car, all parts of the engine and exhaust can become extremely hot. Be careful not to touch these parts especially when refueling, or making repairs.
- This model is controlled by your radio controller and is sometimes vulnerable to interference from many outside sources. This interference can cause a loss of control so it is necessary to operate this model in an open area to avoid personal, or property damage. Always ensure turning on your radio first.
- Keep all the parts included in the package out of reach of children.
- This model contains many fast rotating parts. Never touch them during operation.
- Follow the instructions included with your radio gear.
- Never operate your model near people or property. The speed of this model has the potential to injure and or damage people and or property.
- Always use original SWORKz spare parts and option parts.
- Always ensure that the buggy is in proper working condition before use.

BAG B

1 **F** **R** **x2**



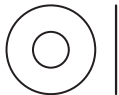
330015
Pin M2.2x9.9mm x4



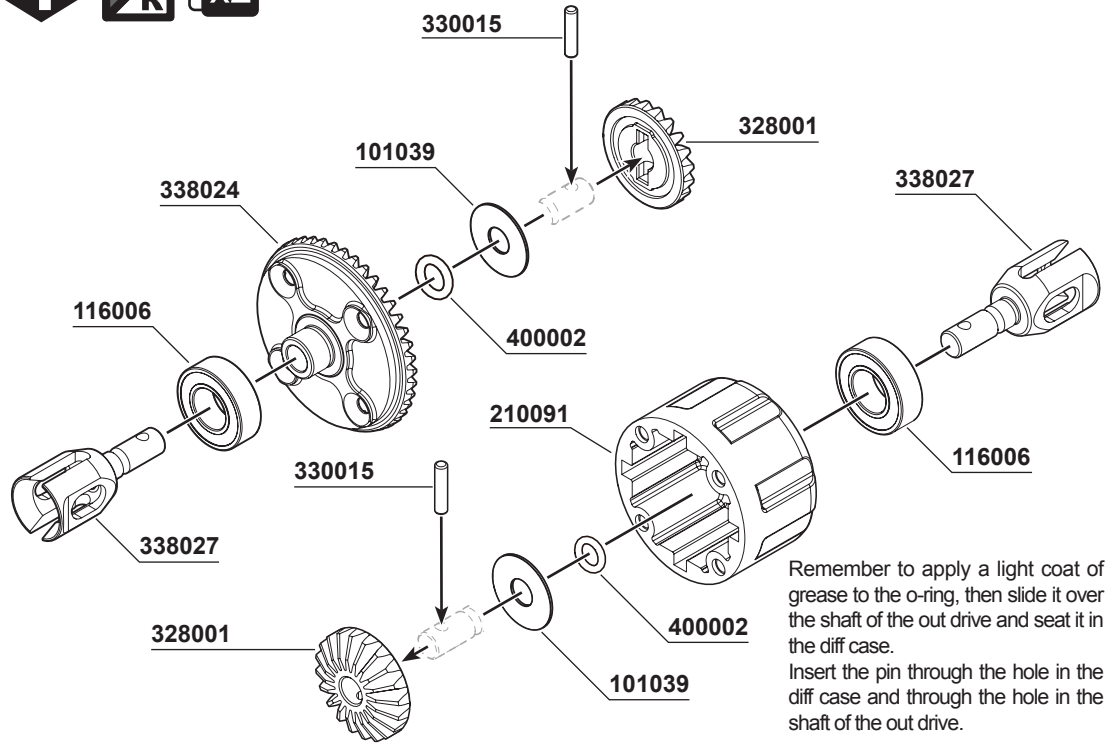
400002
O-ring S5 4.8X1.5 x4



116006
Ball Bearing 8x16x5mm x4



101039
Washer 5x12x0.3 x2

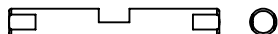


Remember to apply a light coat of grease to the o-ring, then slide it over the shaft of the out drive and seat it in the diff case.
Insert the pin through the hole in the diff case and through the hole in the shaft of the out drive.

2 **F** **R** **x2**



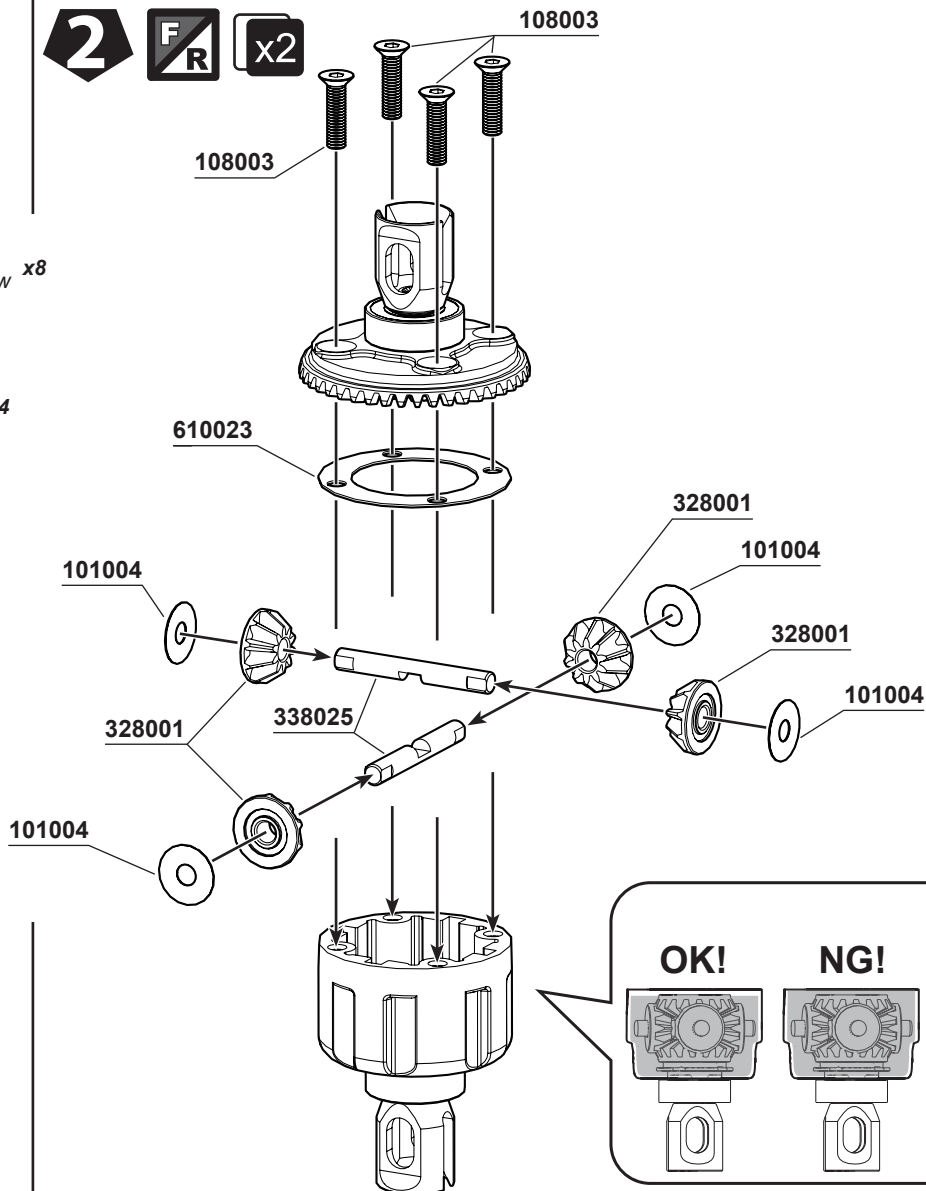
108003
M3x10mm FH/ST HEX Screw x8



338025
S35-3W Bevel Gear Shaft x4



101004
Washer 3.5X10X0.2mm x8



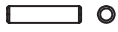
OK!

NG!

Fill the differentials with oil up to 80% above the satellite gears.
Put the SWORKz Diff. Oil 7000cps for the front Diff. and 3000cps for the rear Diff.

BAG C

3



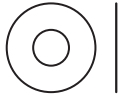
330015
Pin M2.2x9.9mm x2



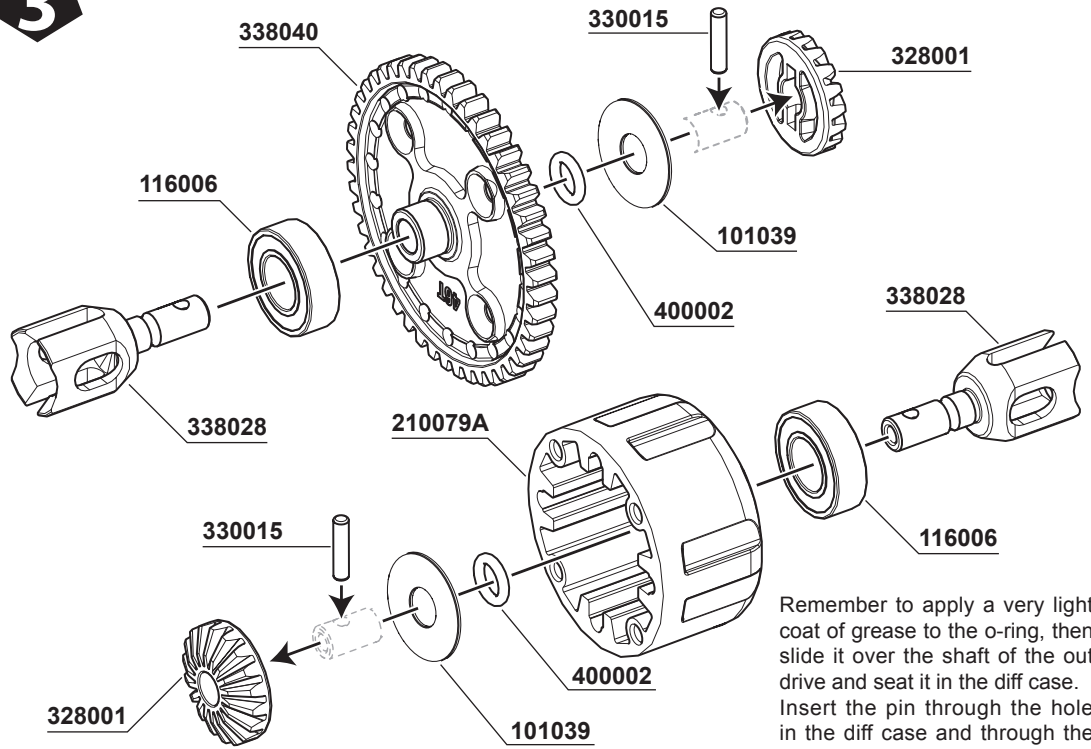
400002
O-ring S5 4.8X1.5 x2



116006
Ball Bearing 8x16x5mm x2



101039
Washer 5x12x0.3 x2

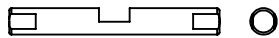


Remember to apply a very light coat of grease to the o-ring, then slide it over the shaft of the out drive and seat it in the diff case. Insert the pin through the hole in the diff case and through the hole in the shaft of the out drive.

4



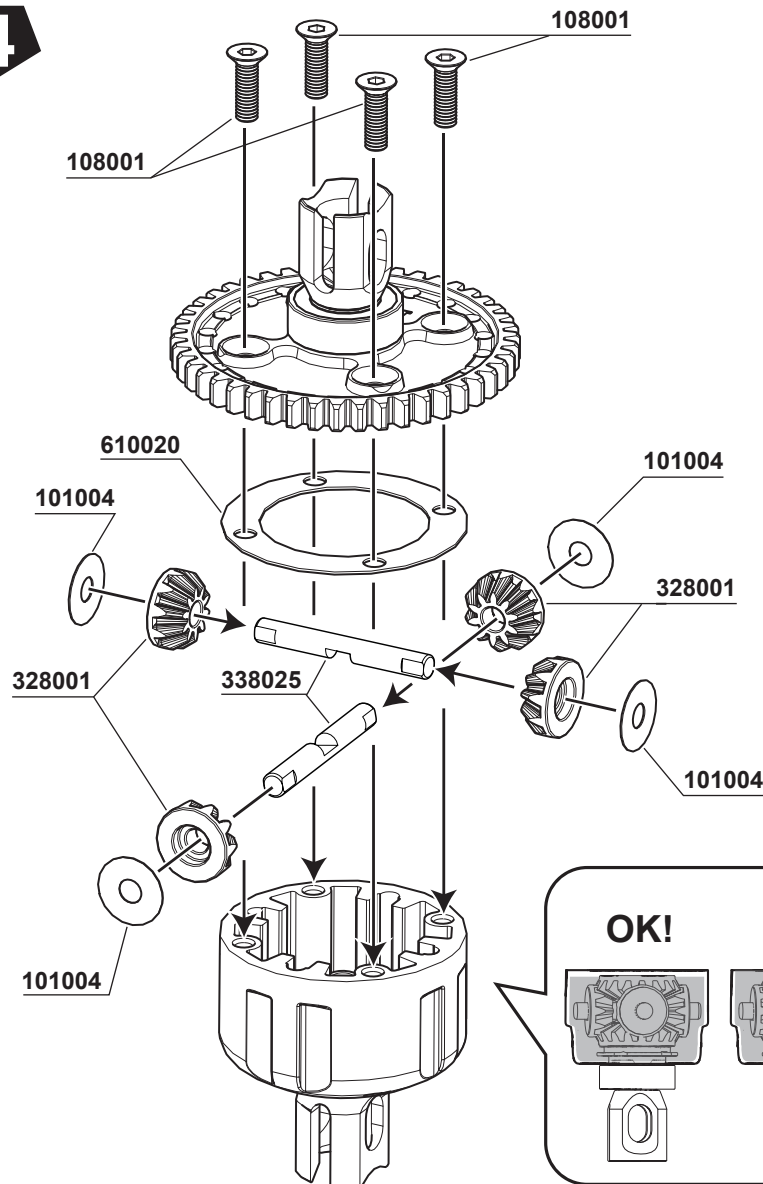
108001
M3x12mm FH/ST HEX Screw x4



338025
S35-3W Bevel Gear Shaft x4



101004
Washer 3.5X10X0.2mm x4



OK!

NG!

Fill the differentials with oil up to 80% above the satellite gears. Put the SWORKz Diff. Oil 7000cps for the center Diff.

Pro Tip:
Before installing the M5x4 set screw (104010), remember to clean the set screw and center driver joint (330661A) first. Then apply TLC on the set screw.



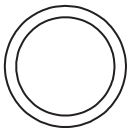
104010
M5x4mm Set Screw (Flat Bottom) **x1**



108001
M3x12mm FH/ST HEX Screw **x4**



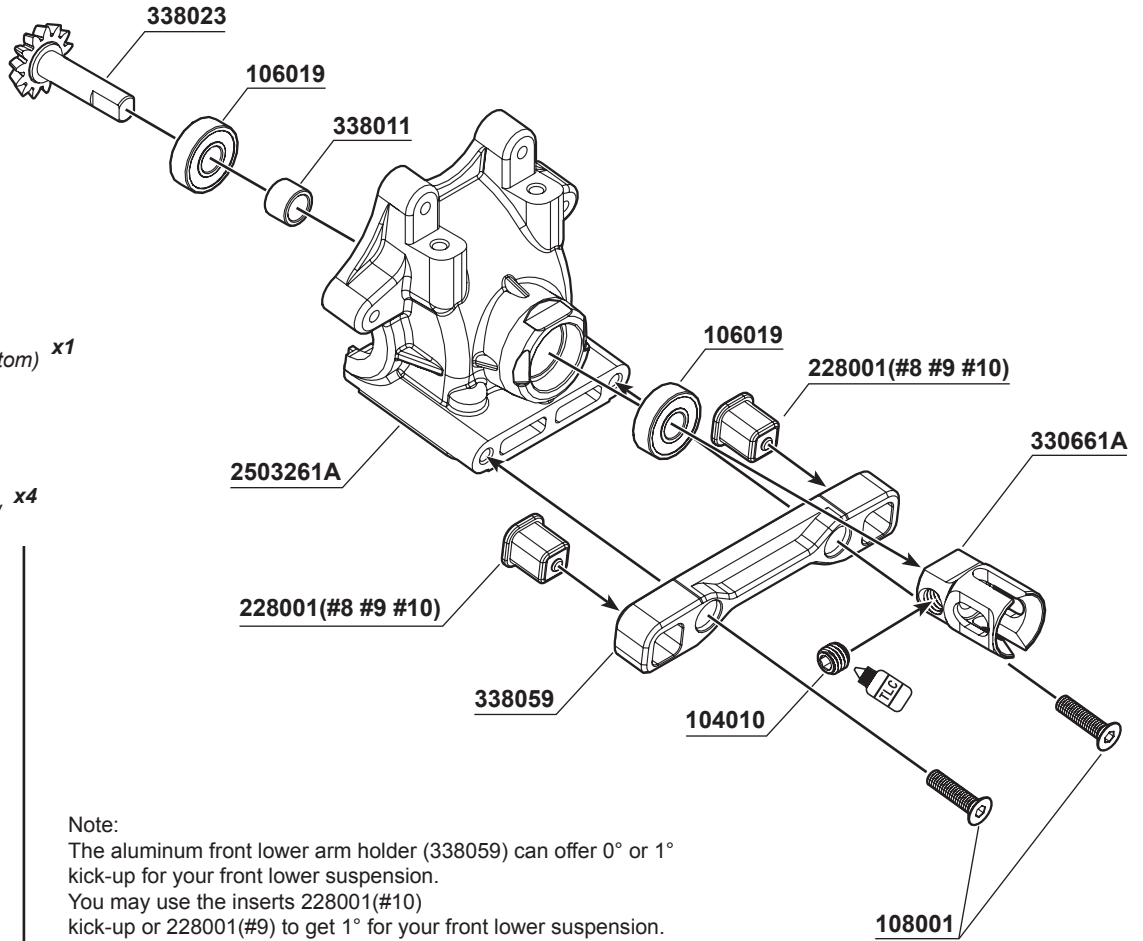
116019
Ball Bearing 5x13x4mm **x2**



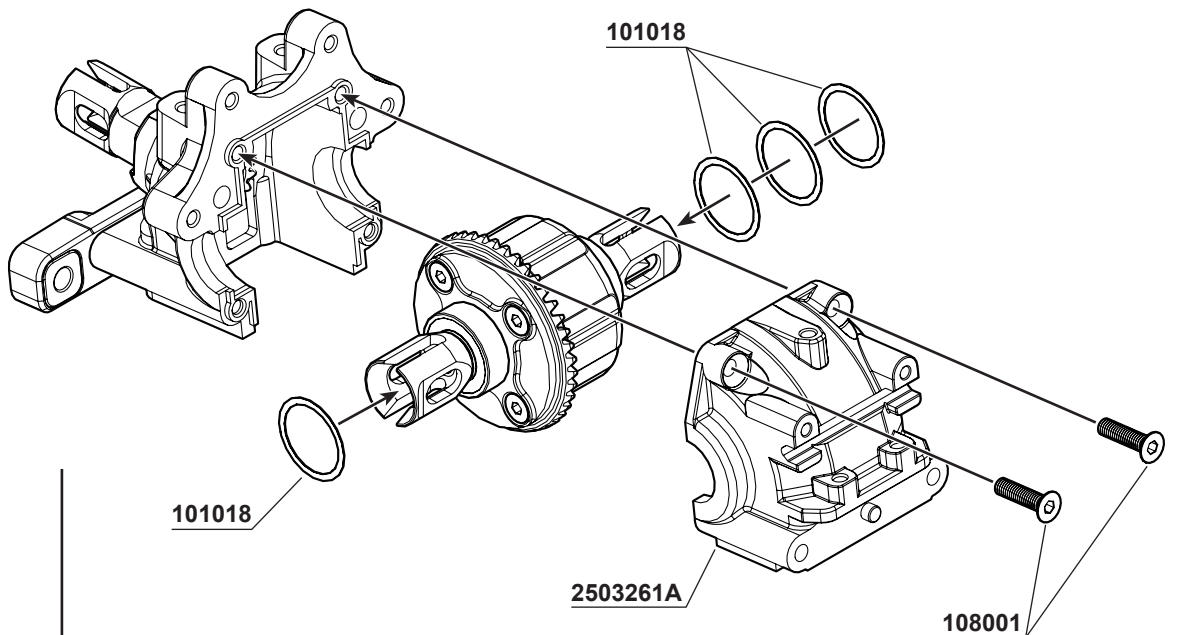
101018
SHIM 13x16x0.2mm **x4**



338011
S35 series Pinion Gear Stopper (5x7x5.1mm) **x1**



Note:
The aluminum front lower arm holder (338059) can offer 0° or 1° kick-up for your front lower suspension. You may use the inserts 228001(#10) kick-up or 228001(#9) to get 1° for your front lower suspension.



Note:
101018SHIM 13x16x0.2mm
Please use 13x16x0.2mm shims to adjust the play between the crown gear and pinion gear. Standard suggestion is 1pc shim on the diff crown gear side and 3 pcs on the other side.

6 Rear

Pro Tip:
Before installing the M5x4 set screw (104010), remember to clean the set screw and center driver joint (330661A) first. Then apply TLC on the set screw.

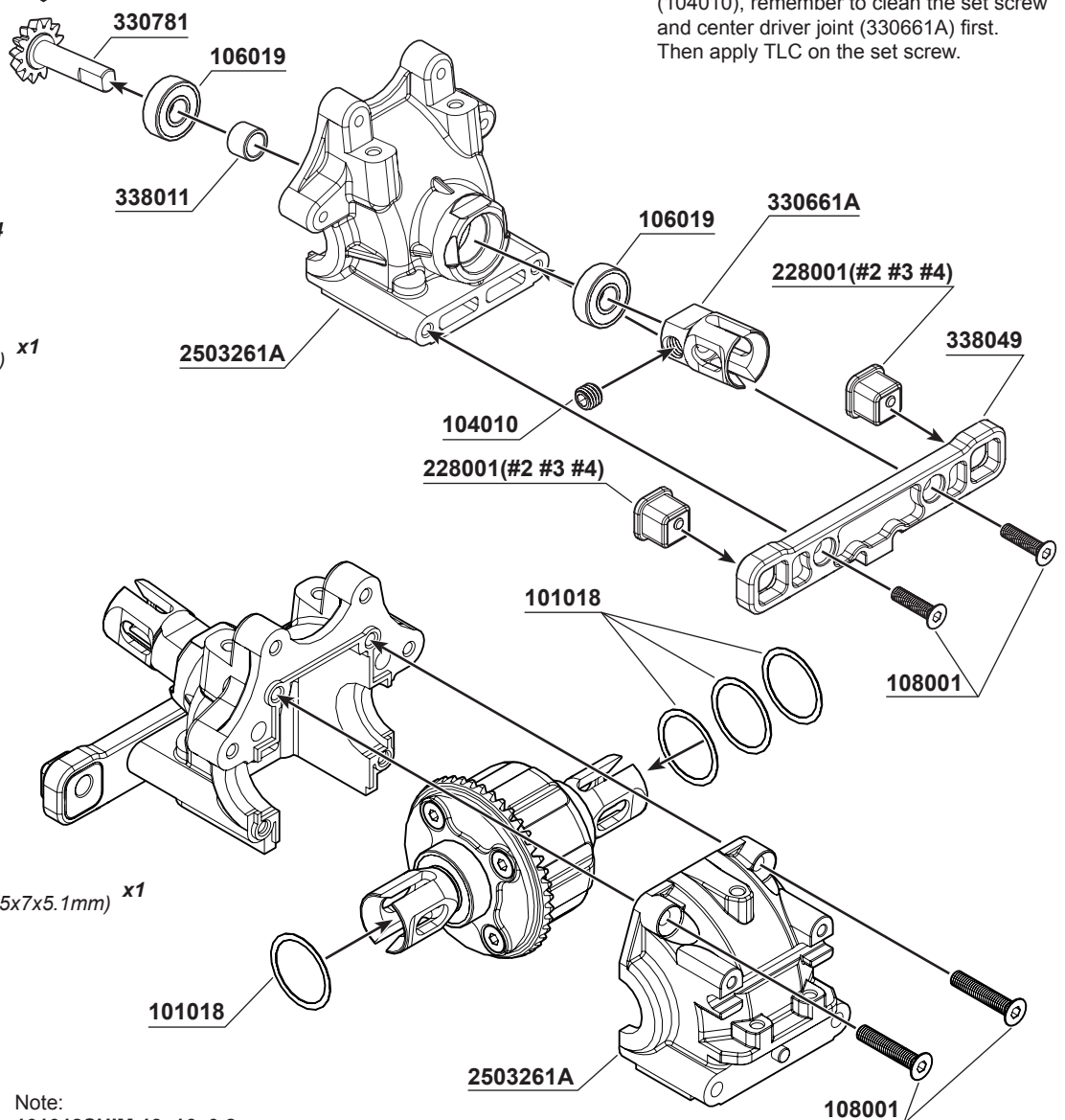
108001
M3x12mm FH/ST HEX Screw x4

104010
M5x4mm Set Screw (Flat Bottom) x1

116019
Ball Bearing 5x13x4mm x2

101018
SHIM 13x16x0.2mm x4

338011
S35 series Pinion Gear Stopper (5x7x5.1mm) x1



Note:
101018SHIM 13x16x0.2mm
Please use 13x16x0.2mm shims to adjust the play between the crown gear and pinion gear. Standard suggestion is 1pc shim on the diff crown gear side and 3 pcs on the other side.

BAG E1

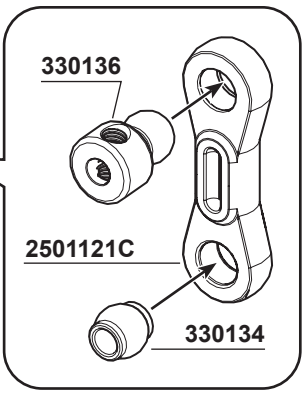
7



x2

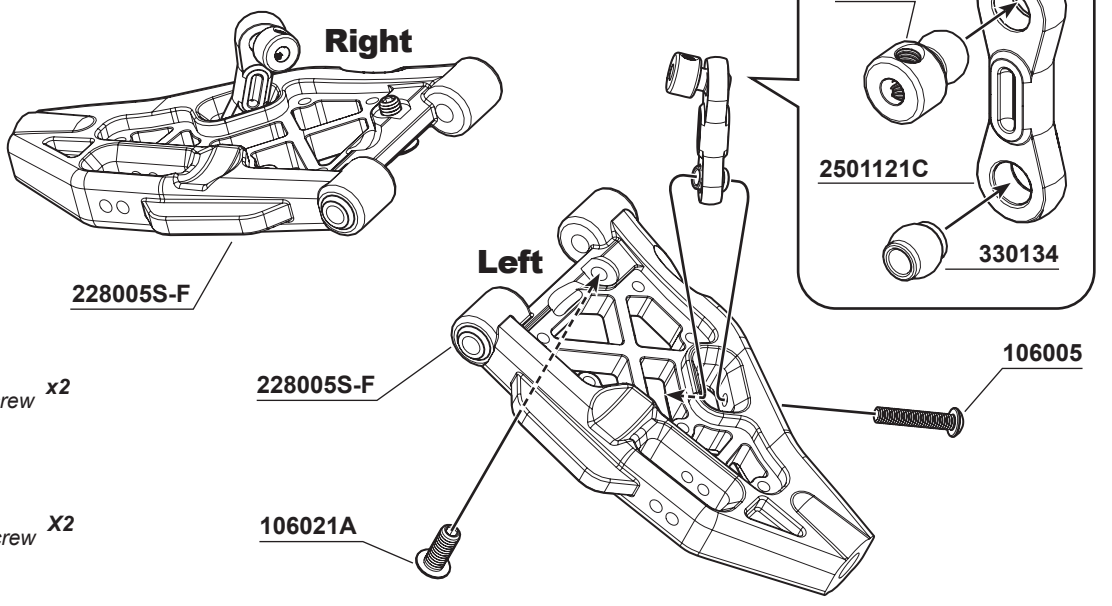
Right

Left



106005
M3x15mm Hex Socket OH/TP Screw x2

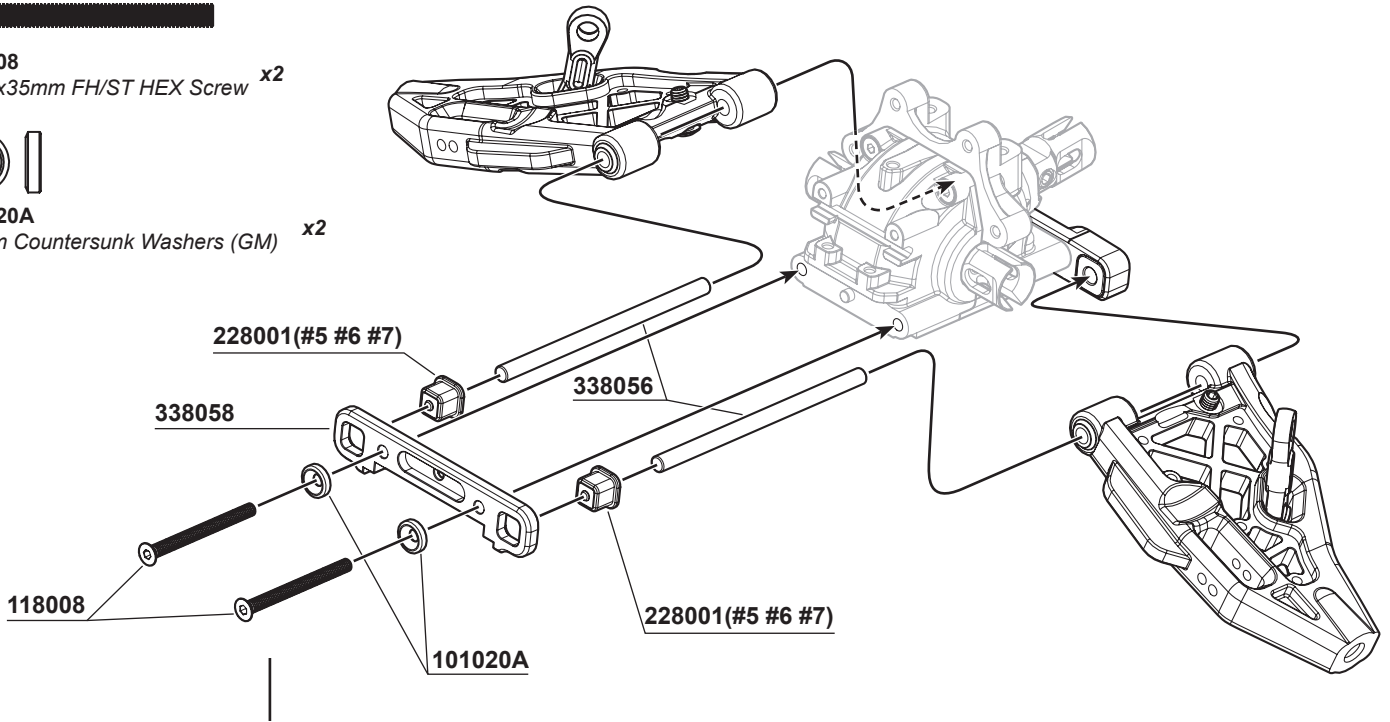
106021A
M4x10mm Hex Socket OH/TP Screw x2



108008
M3x35mm FH/ST HEX Screw x2



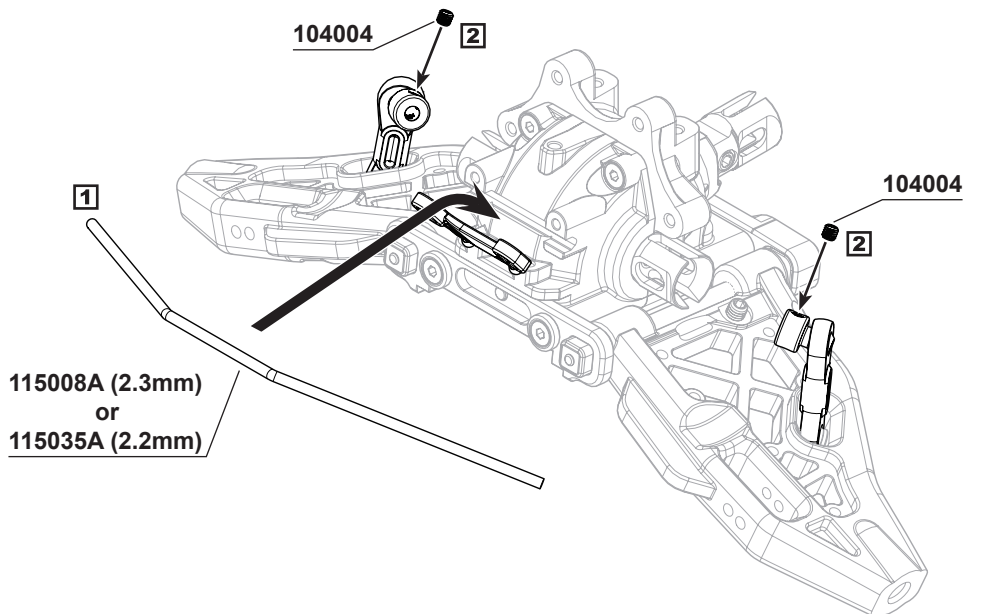
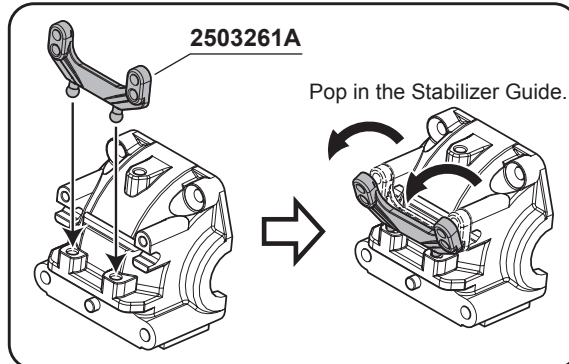
101020A
3mm Countersunk Washers (GM) x2



338056
S35-4 Series Lower Arm Hinge Pin (68.5mm) x2

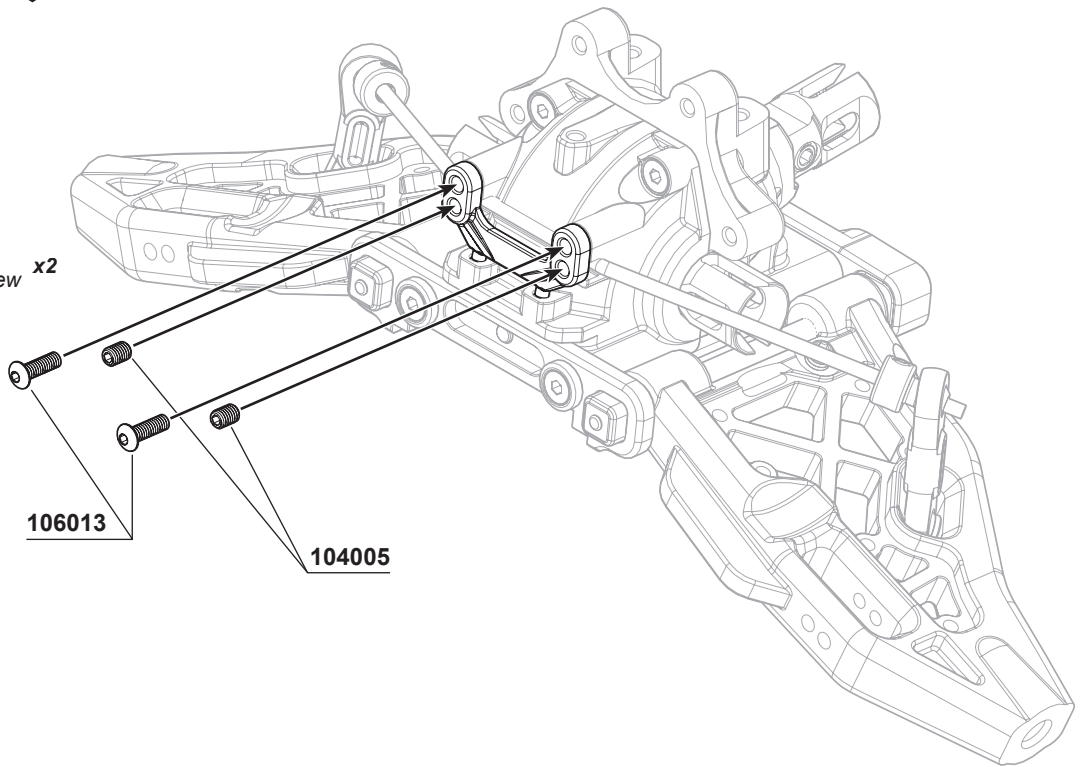
104004
M3x3mm Set Screw x2

9



 **104005**
M3x4mm Set Screw x2

 **106013**
M2.5x8mmH ex Socket OH/TPScrew x2



106013

104005

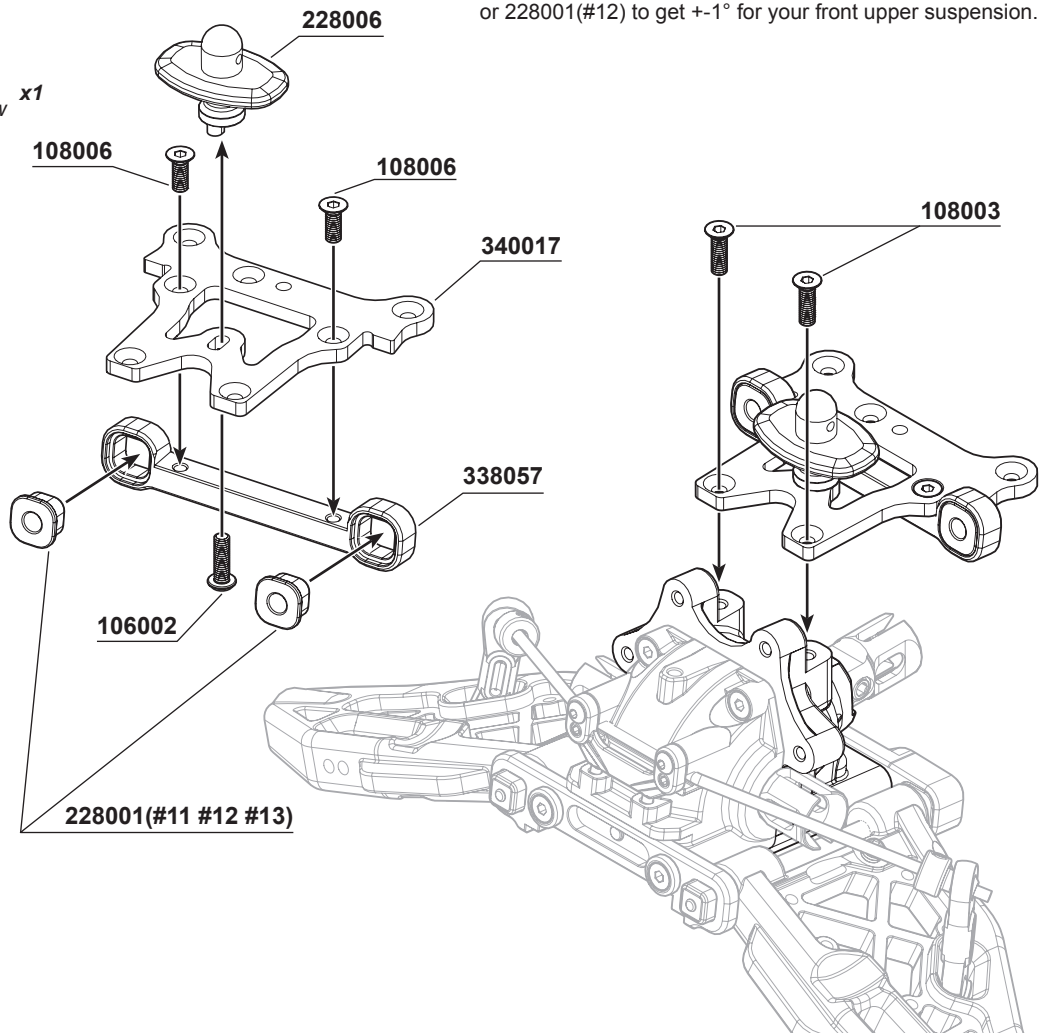


x2

 **106002**
M3x10mm Hex Socket OH/TP Screw x1

 **108003**
M3x10mm FH/ST HEX Screw x2

 **108006**
M3x8mm FH/ST HEX Screw x2



228006

108006

108006

340017

108003

338057

106002

228001(#11 #12 #13)

Note:
The aluminum front upper arm holder (338057) can offer either 0° or + -1° kick-up for your front upper arm suspension. You may use the inserts 228001(#13) to get 0° kick-up or 228001(#12) to get +-1° for your front upper suspension.

BAG**E1****12****x2****PRO TIP:**

The S35-4 Front Upper Arm Adjust Inserts can give different steering adjustments (Ackerman). Put all inserts behind the front upper arms, you will get faster steering response. Otherwise put all inserts in front of the upper arms, you will get more stable steering response. Try to use 2503260-1 or 2503260-3 to adjust the front upper arm position.



108001
M3x12mm FH/ST HEX Screw x4



106015
M3x5mm Hex Socket OH/TP Screw x2

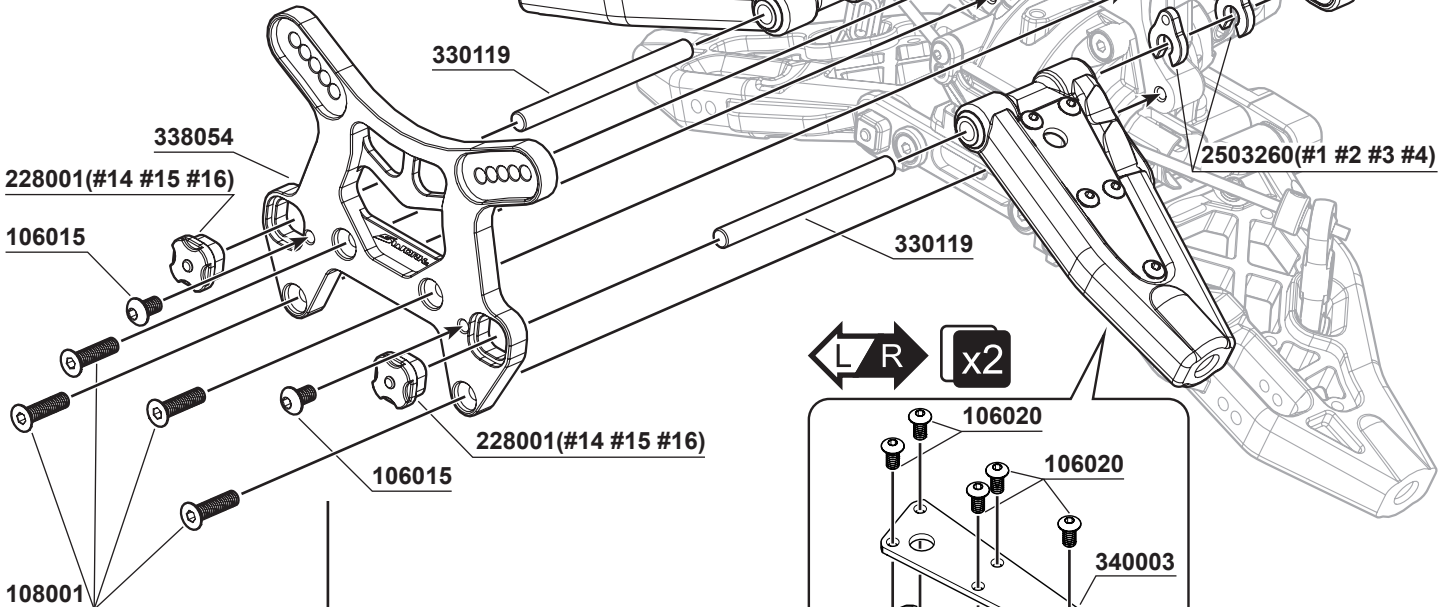
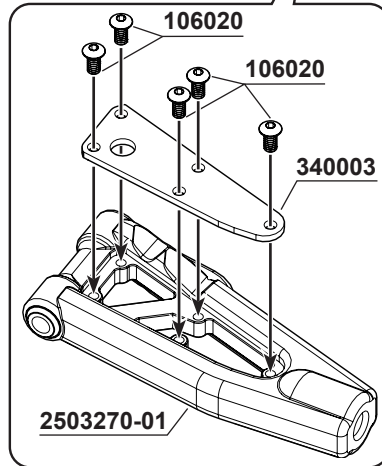


330119
Front Upper Arm HingPin x2

338054
228001(#14 #15 #16)

106015

108001

**x2**

Note:
2503260-1
S35-3 Front Upper Arm Adjust Insert (0.9mm)
2503260-2
S35-3 Front Upper Arm Adjust Insert (1.0mm)
2503260-3
S35-3 Front Upper Arm Adjust Insert (1.1mm)
2503260-4
S35-3 Front Upper Arm Adjust Insert (2.0mm)



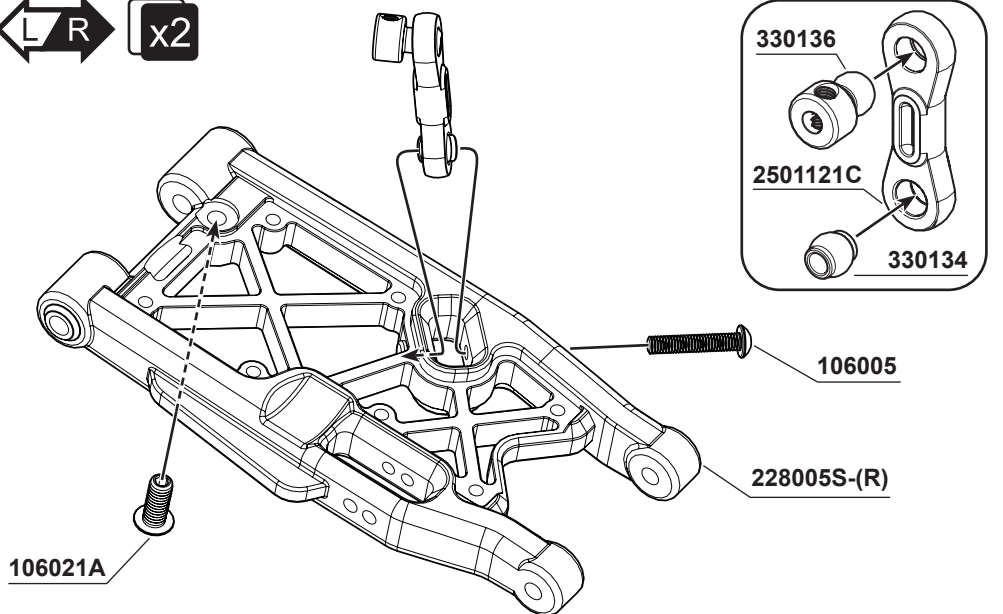
106020
M2.5x5mm Hex Socket OH/TP Screw x10



106005
M3x15mm Hex Socket OH/TP Screw x2



106021A
M4x10mm Hex Socket OH/TP Screw x2

13**x2**



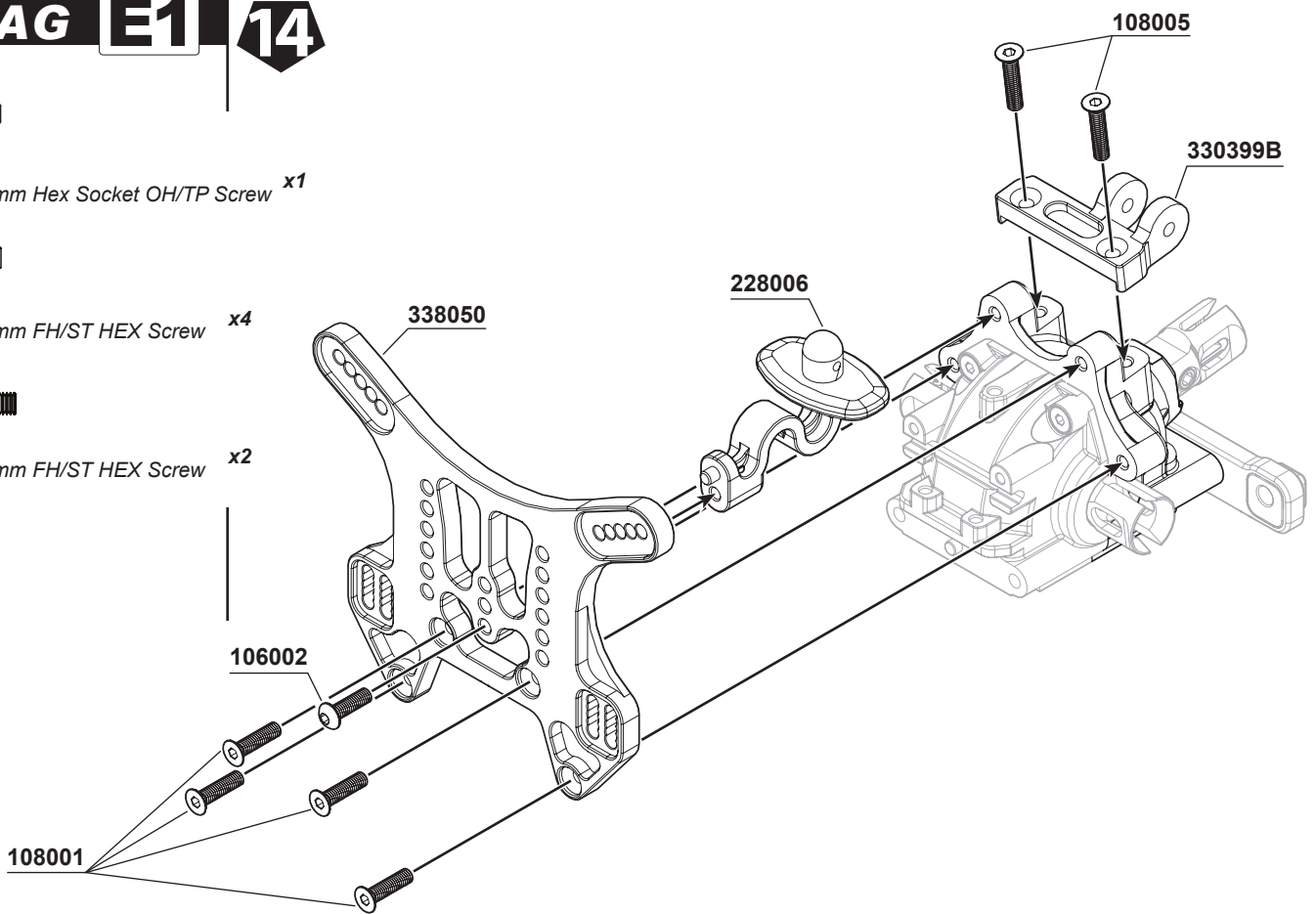
106002
M3x10mm Hex Socket OH/TP Screw x1



108001
M3x12mm FH/ST HEX Screw x4



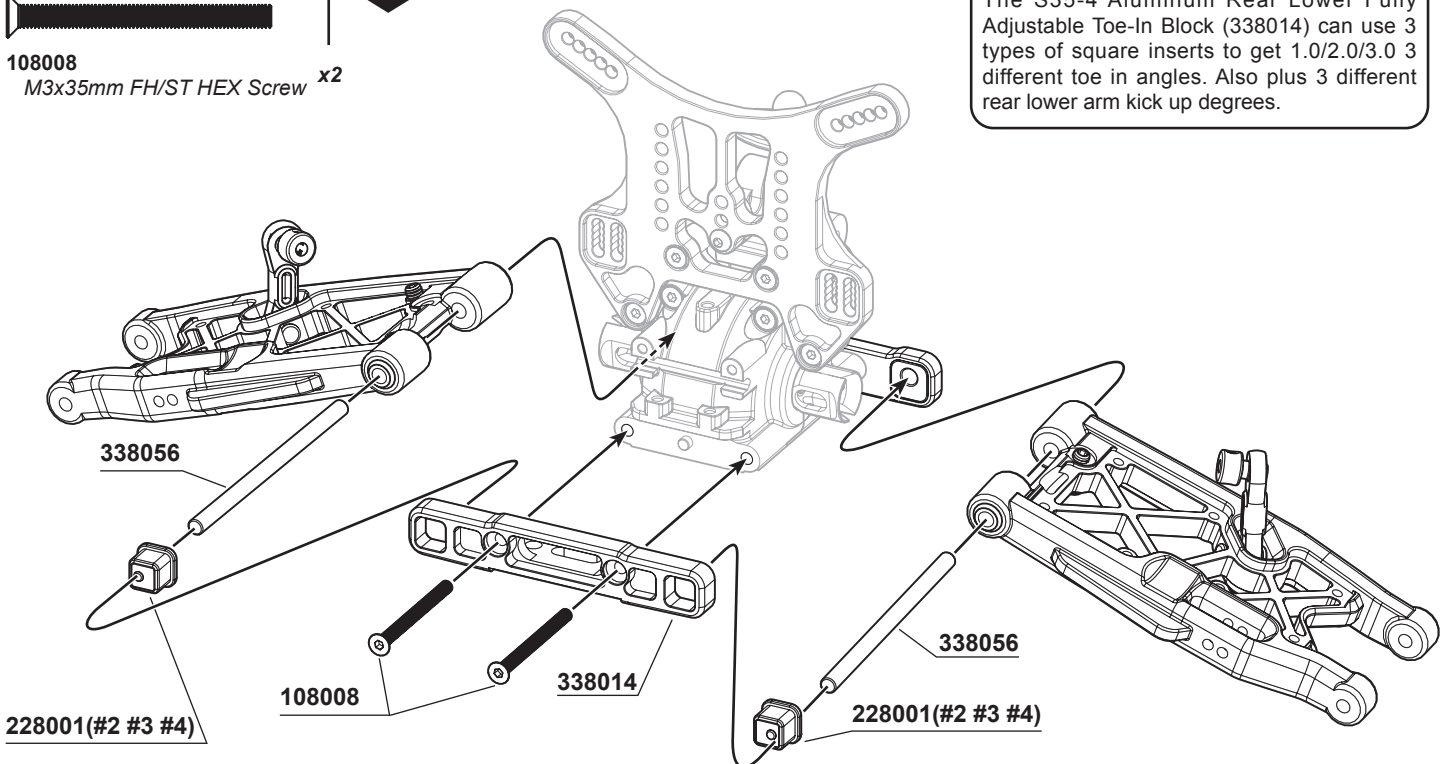
108005
M3x14mm FH/ST HEX Screw x2



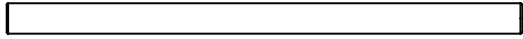
15



108008
M3x35mm FH/ST HEX Screw x2



PRO TIP:
The S35-4 Aluminum Rear Lower Fully Adjustable Toe-In Block (338014) can use 3 types of square inserts to get 1.0/2.0/3.0 3 different toe in angles. Also plus 3 different rear lower arm kick up degrees.

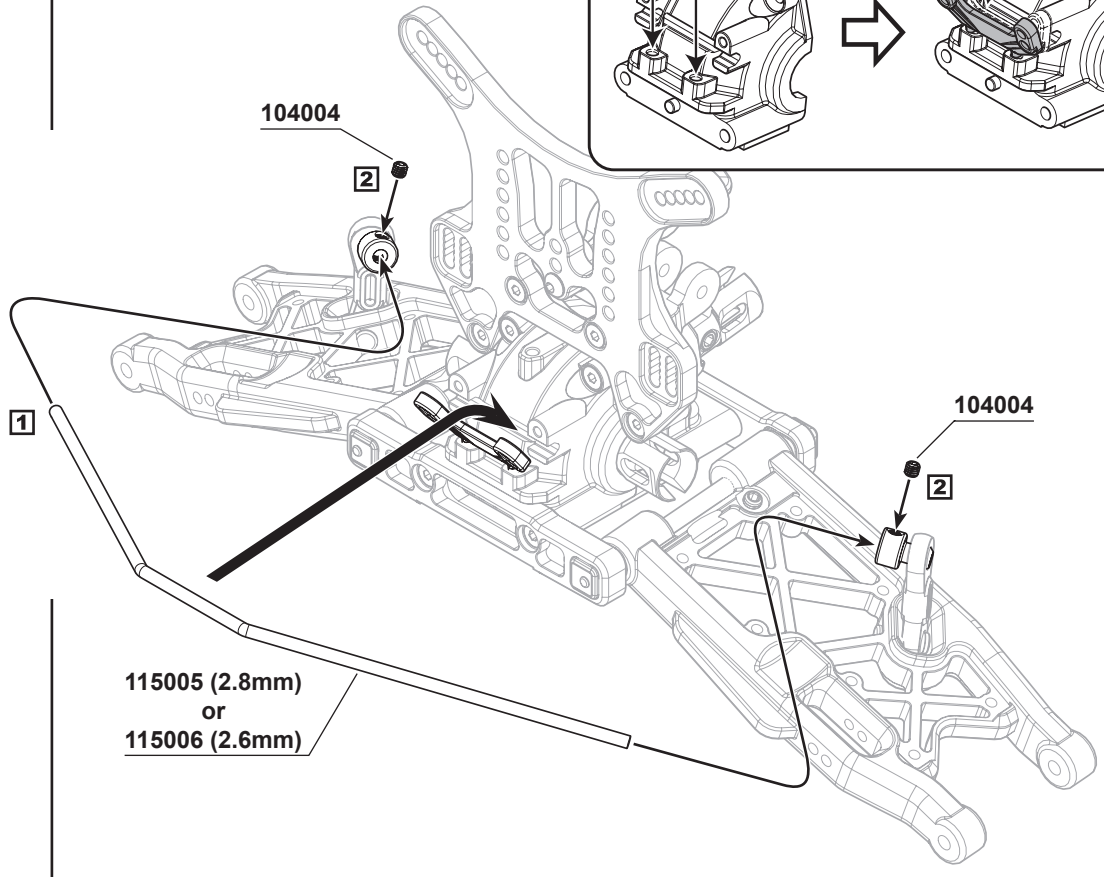
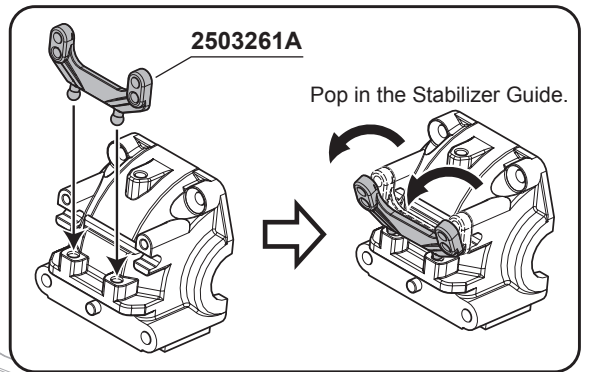


338056
S35-4 Series Lower Arm Hinge Pin (68.5mm) x2

OPTION:
228001-2 S35-4 Series Rear Lower Arm Holder Square Insert (+1/+1)
228001-3 S35-4 Series Rear Lower Arm Holder Square Insert (0/+1)
228001-4 S35-4 Series Rear Lower Arm Holder Square Insert (0)



104004
M3x3mm Set Screw x2



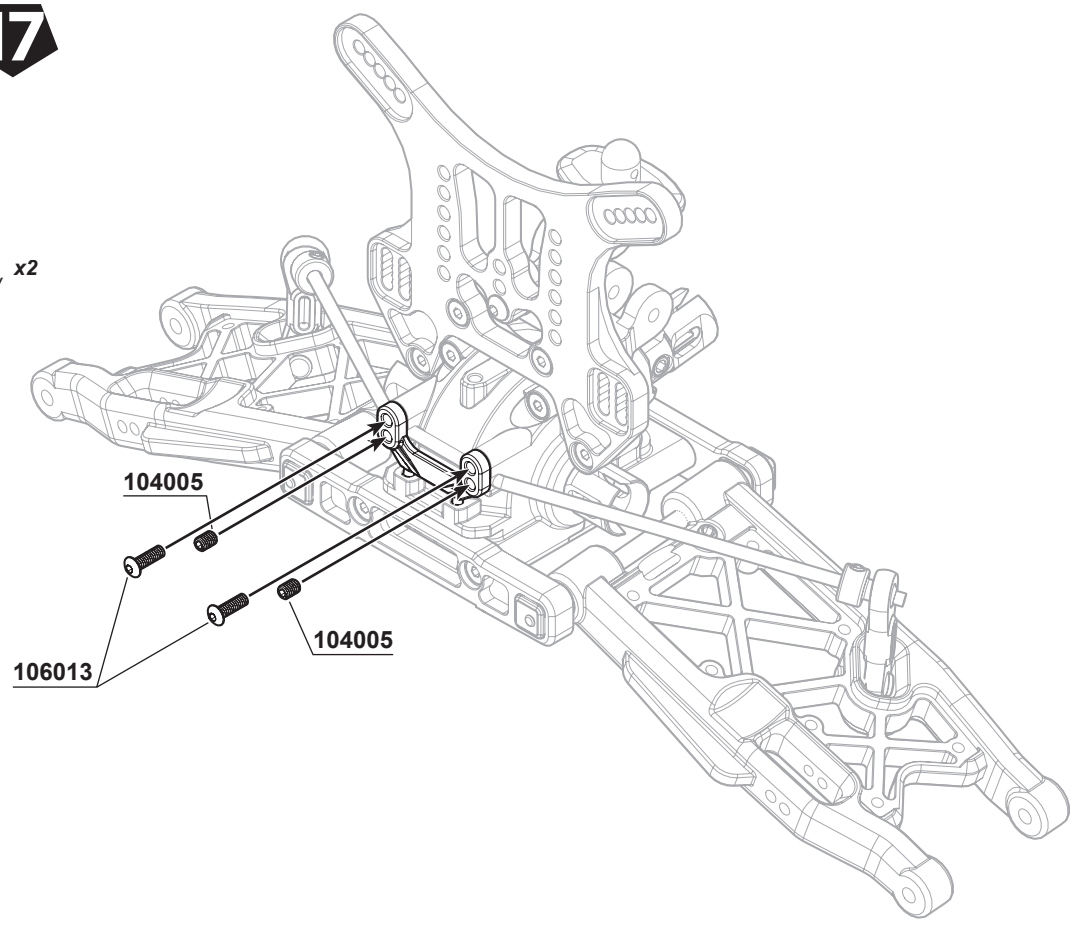
115005 (2.8mm)
or
115006 (2.6mm)



104005
M3x4mm Set Screw x2

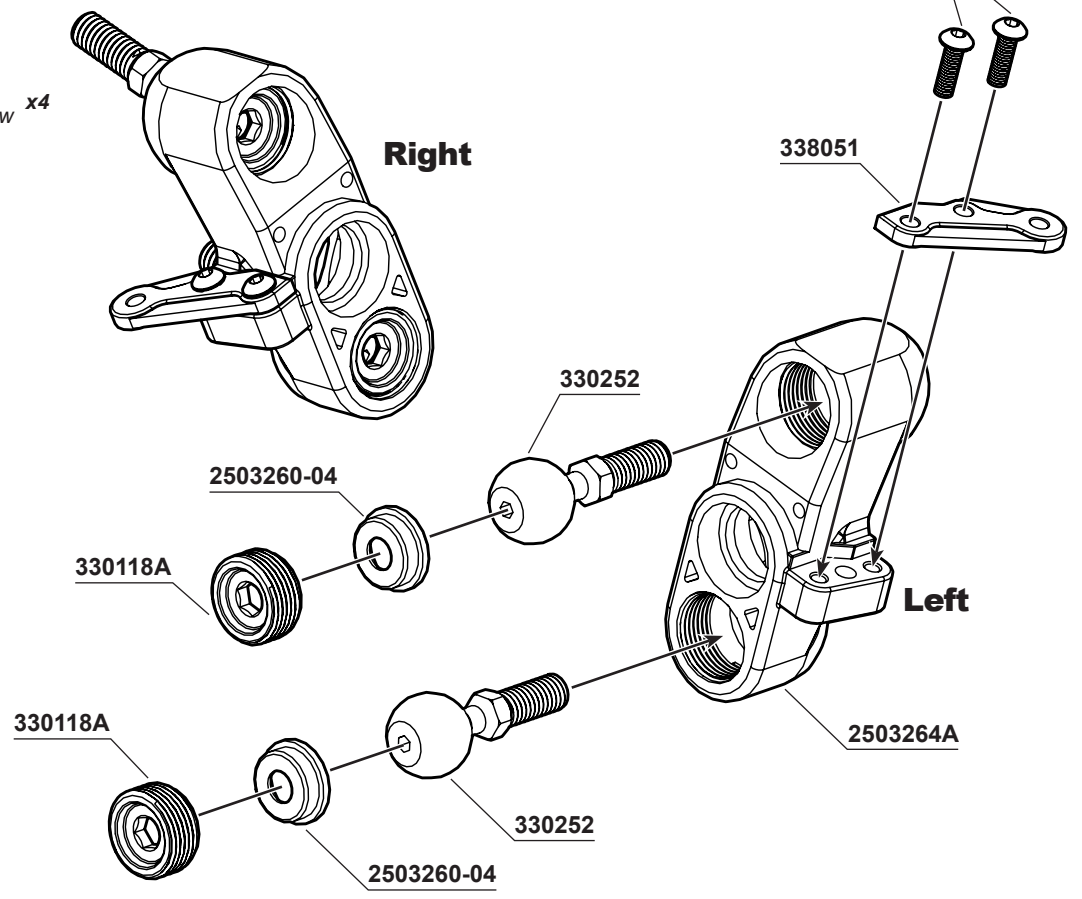


106013
M2.5x8mmH ex Socket OH/TPScrew x2





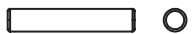
106002
M3x10mm Hex Socket OH/TP Screw x4



Screw and adjust 330118A Knuckle Pivot Ball Nut so as the pivot ball can be moved smoothly.



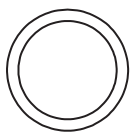
104010
M5x4mm Set Screw (Flat Bottom) x2



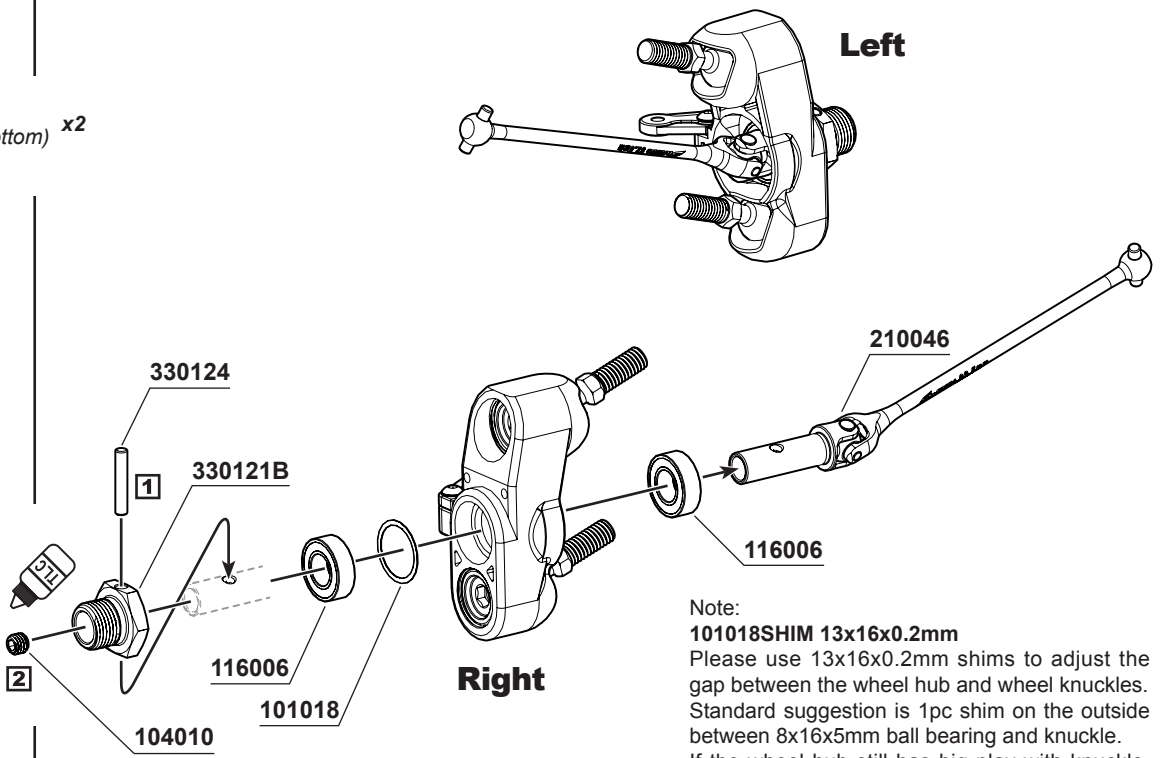
330124
Pin M3.0x16.8mm x2



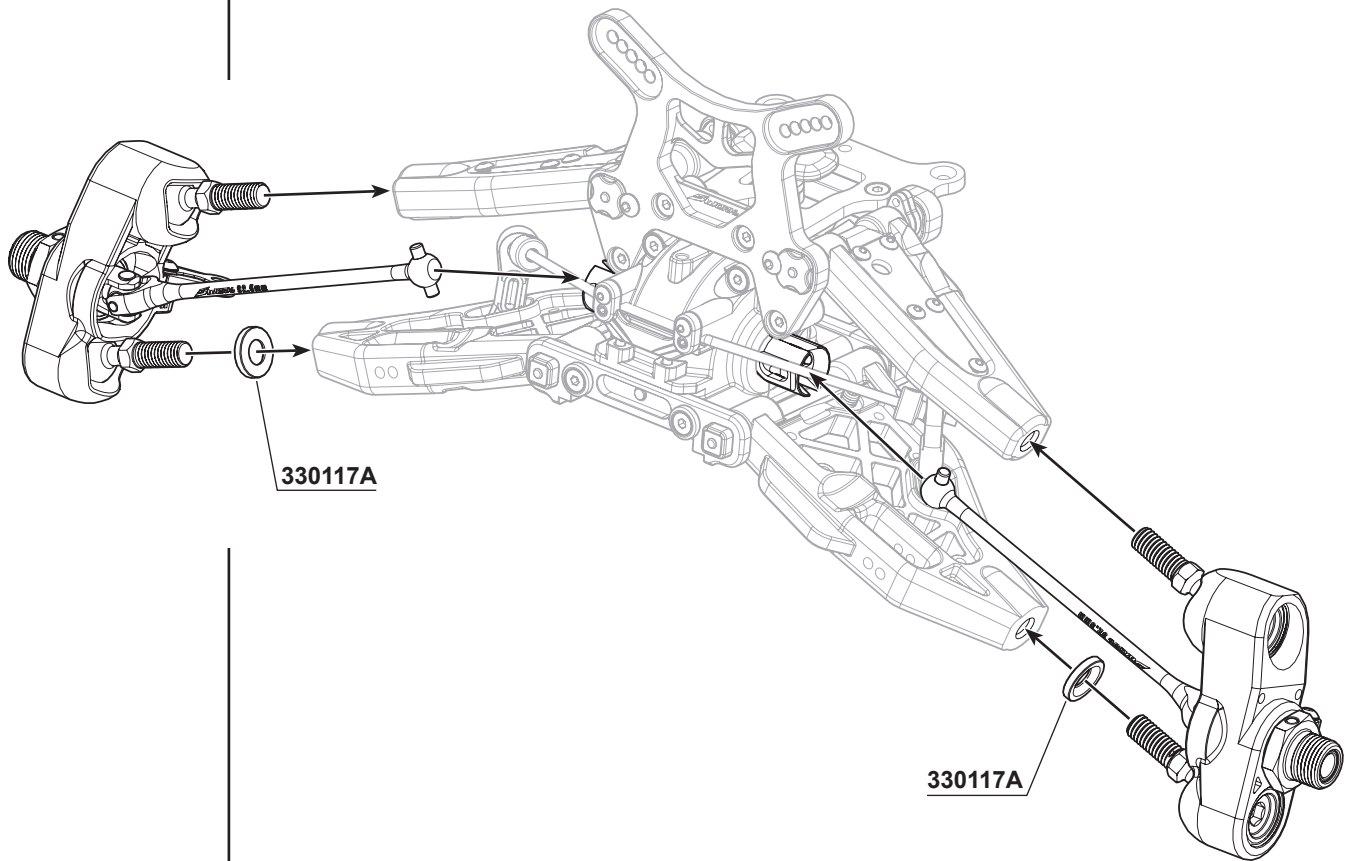
116006
Ball Bearing 8x16x5mm x4



101018
SHIM 13x16x0.2mm x2



Note:
101018SHIM 13x16x0.2mm
Please use 13x16x0.2mm shims to adjust the gap between the wheel hub and wheel knuckles. Standard suggestion is 1pc shim on the outside between 8x16x5mm ball bearing and knuckle. If the wheel hub still has big play with knuckle, please try to put another shim in another side between ball bearing and knuckle.



103001
M3 Nut Lock x2



101021
M3x8xT1mm x2



117003
Flange Ball Bearing 3x6x2.5mm x4



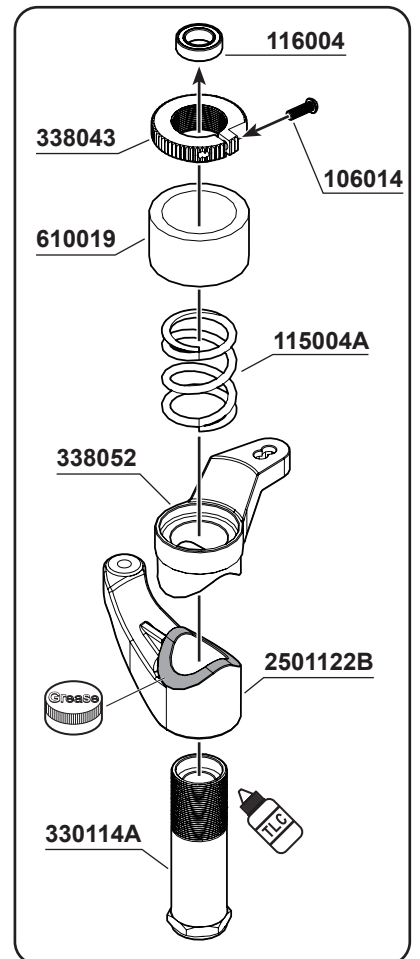
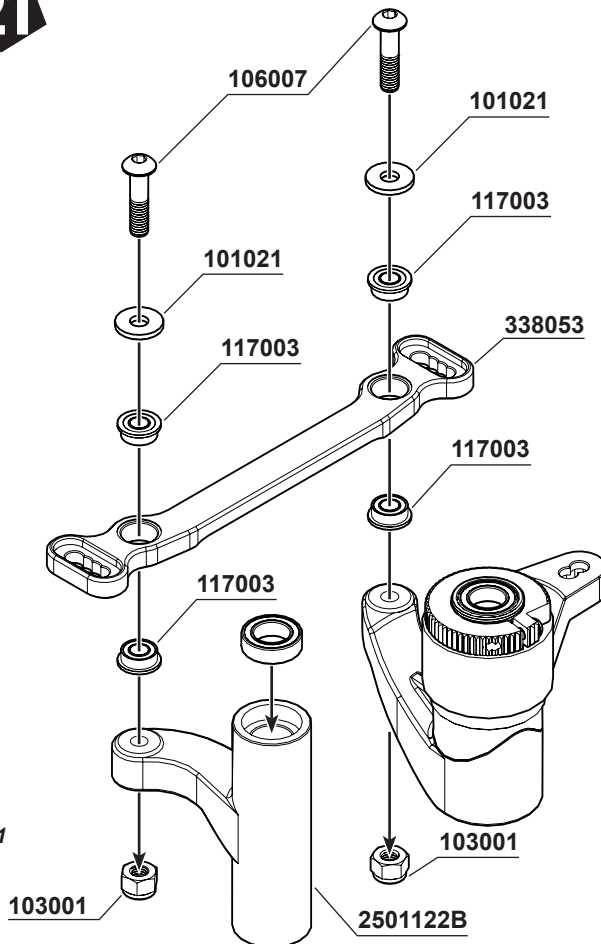
116004
Ball Bearing 6x10x3mm x1



106007
M3x12mm Hex Socket OH/TP Screw(HT) x2



106014
M2x6mm Hex Soker OH/TP Screw x1



BAG E2



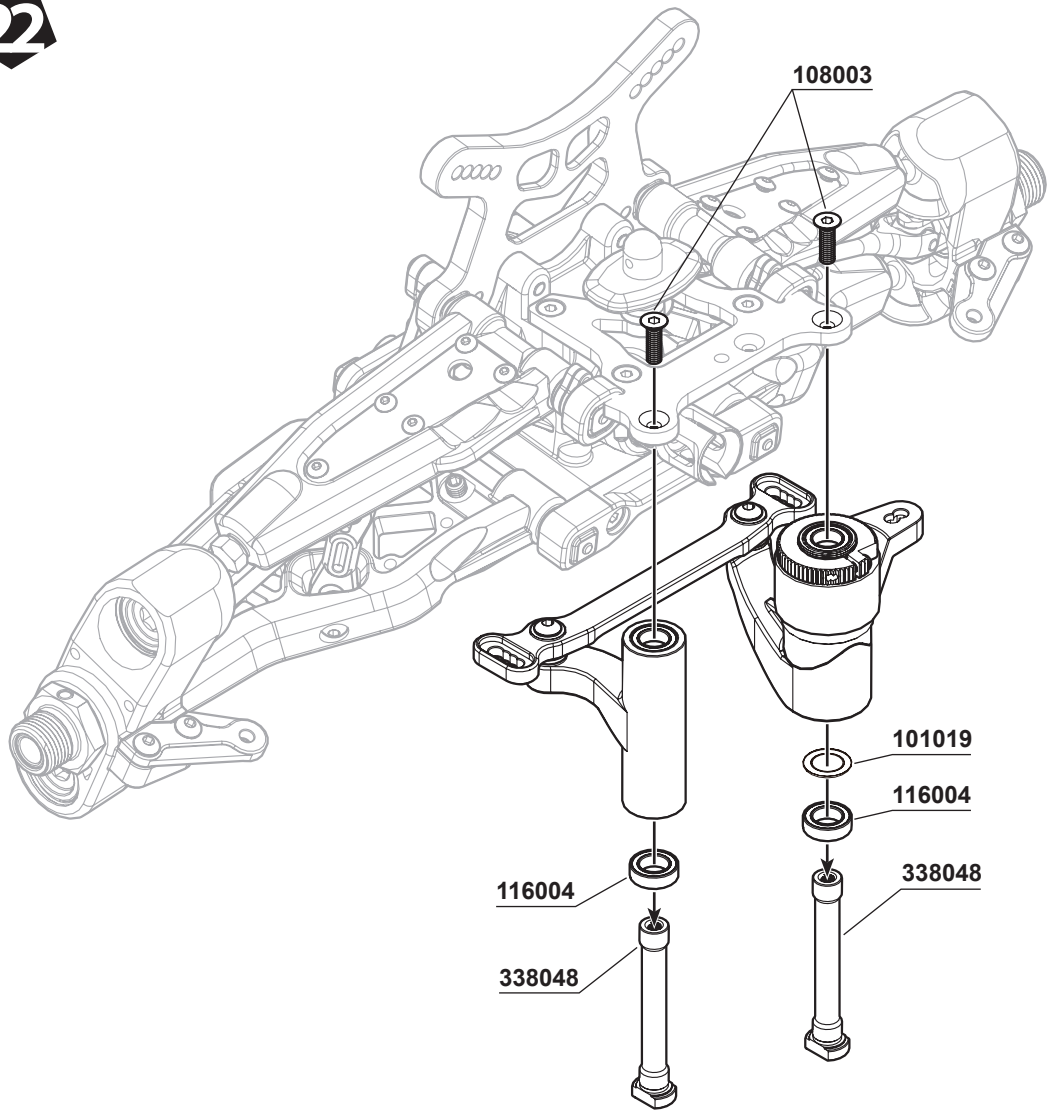
108003
M3x10mm FH/ST HEX Screw x2



116004
Ball Bearing 6x10x3mm x2



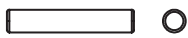
101019
SHIM 6.0x10.0x0.2mm x1



BAG E3



104010
M5x4mm Set Screw (Flat Bottom) x2



330124
Pin M3.0x16.8mm x2



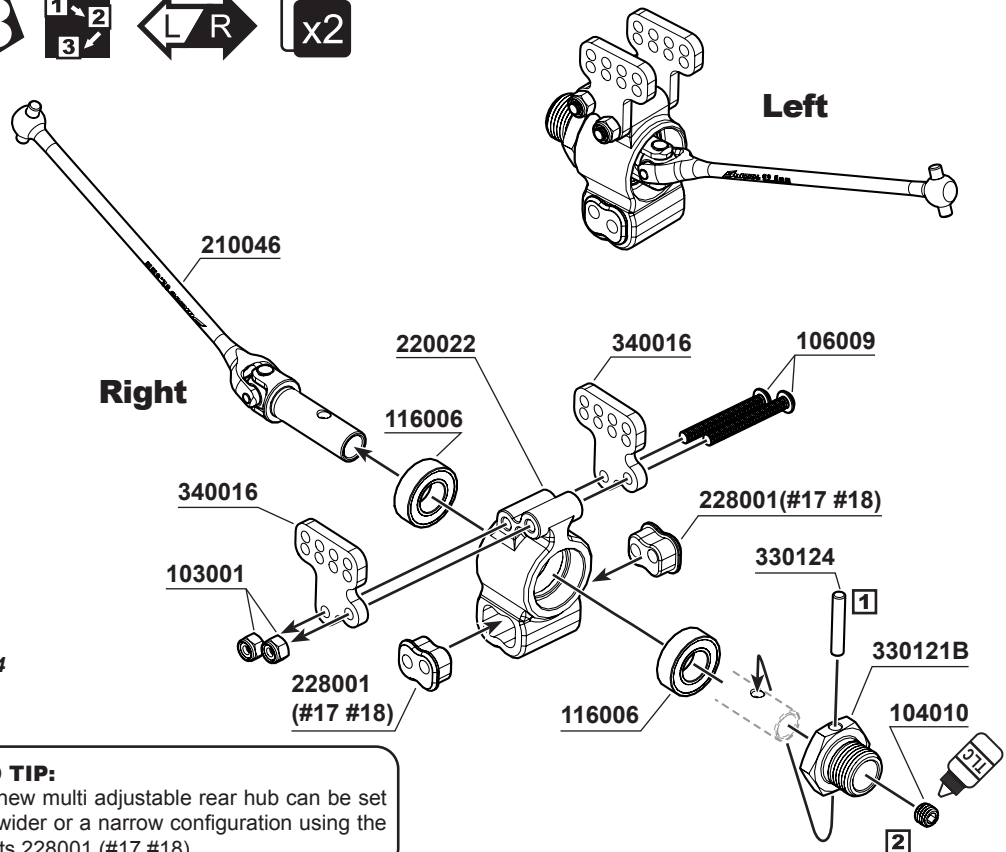
116006
Ball Bearing 8x16x5mm x2



106009
M3x25mm Hex Socket OH/TP Screw x4



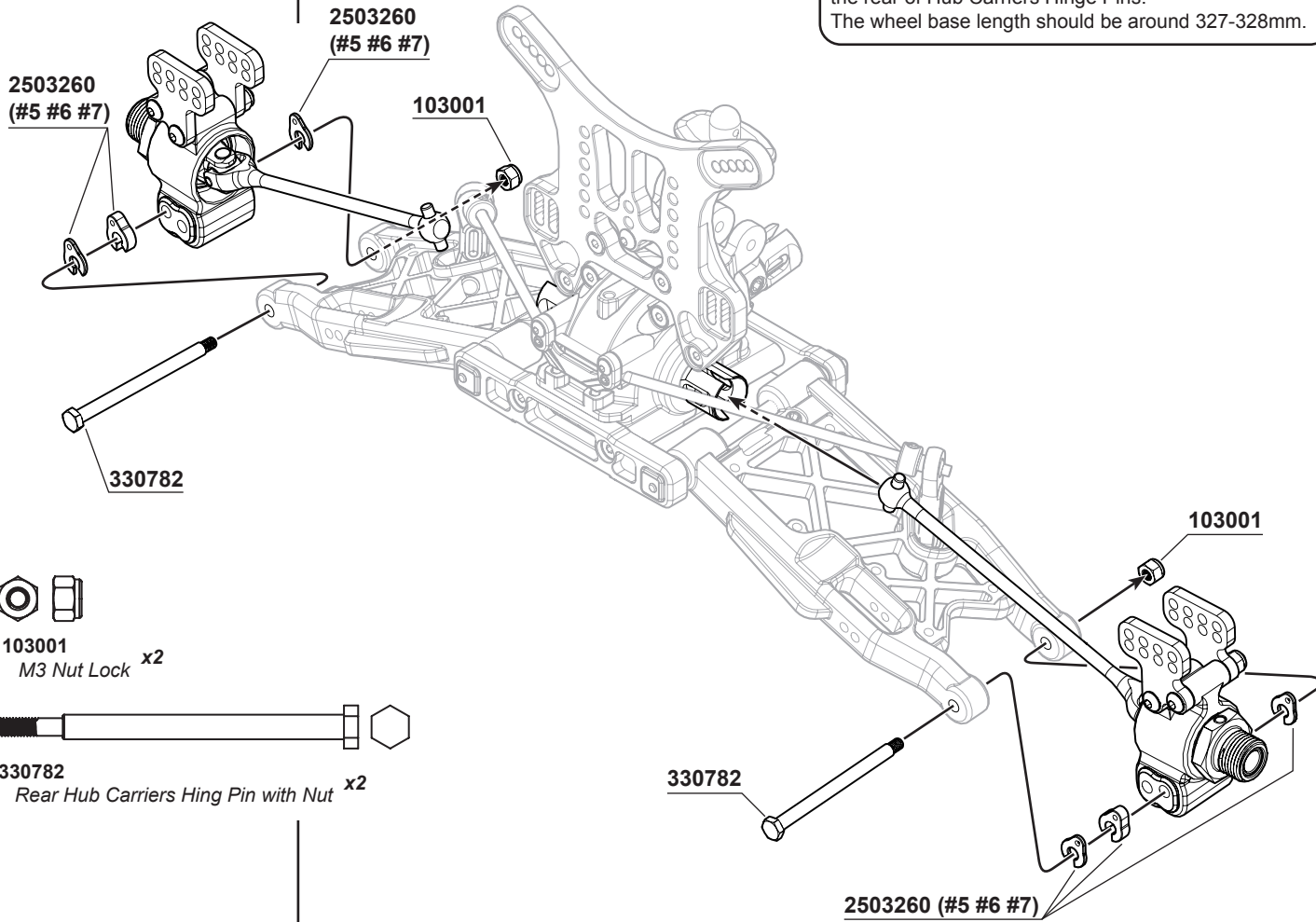
103001
M3 Nut Lock x4



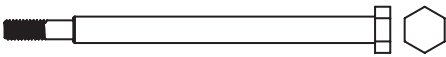
PRO TIP:
The new multi adjustable rear hub can be set to a wider or a narrow configuration using the inserts 228001 (#17 #18)

PRO TIP:

The base set up is always by using 2-3mm inserts on the rear of Hub Carriers Hinge Pins.
The wheel base length should be around 327-328mm.



103001
M3 Nut Lock x2



330782
Rear Hub Carriers Hing Pin with Nut x2

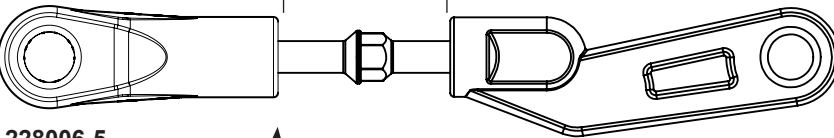
2503260 (#5 #6 #7)

25 **L/R** **x2**

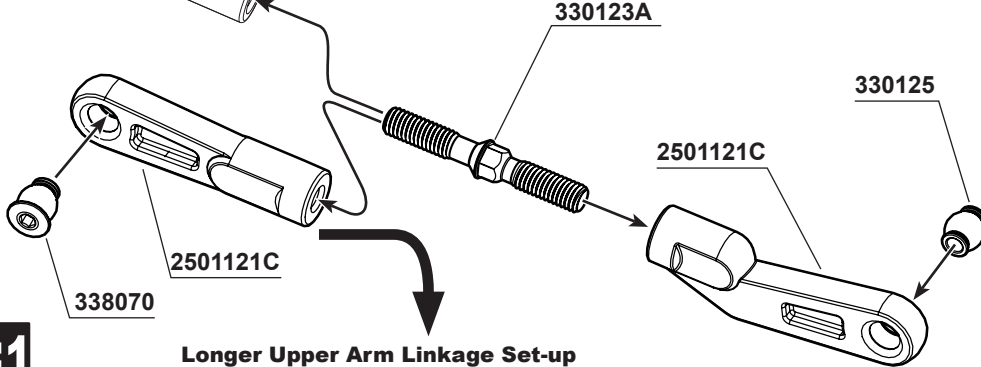
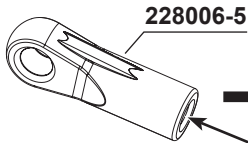
Shorty Upper Arm Linkage Set-up

22.85 mm

1:1



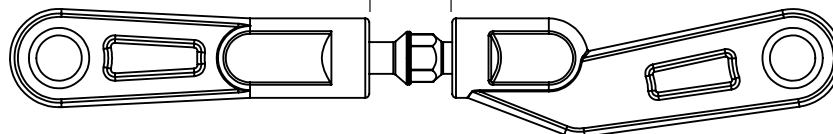
330123A
Rear Upper Sus. Arm Turnbuckles x2



1:1

Longer Upper Arm Linkage Set-up

9.85 mm



Longer Upper Arm Linkage Set-up



106002
M3x10mm Hex Socket OH/TP Screw x2



106009
M3x25mm Hex Scket OH/TP Screw x2



103001
M3 Nut Lock x2

106009

106002

228001

103001

228001

106002

106009

Shorty Upper Arm Linkage Set-up

103001



103001
M3 Nut Lock x4



106003
M3x16mm Hex Scket OH/TP Screw x4



108019
M2.6x6mm Flat Head Screw - Hex Socket x2

103001

228003

228003S(#3)

108019

228003S(#3)

228003

x2

228003S

106003

OPTION:

- 228003S(#3) S35 Series Integrated Wing Mount Spacer (0 Degree)
- 228003S(#4) S35 Series Integrated Wing Mount Spacer (1 Degree)
- 228003S(#5) S35 Series Integrated Wing Mount Spacer (2 Degree)



106007
M3x12mm Hex Socket OH/TP Screw(HT) x4



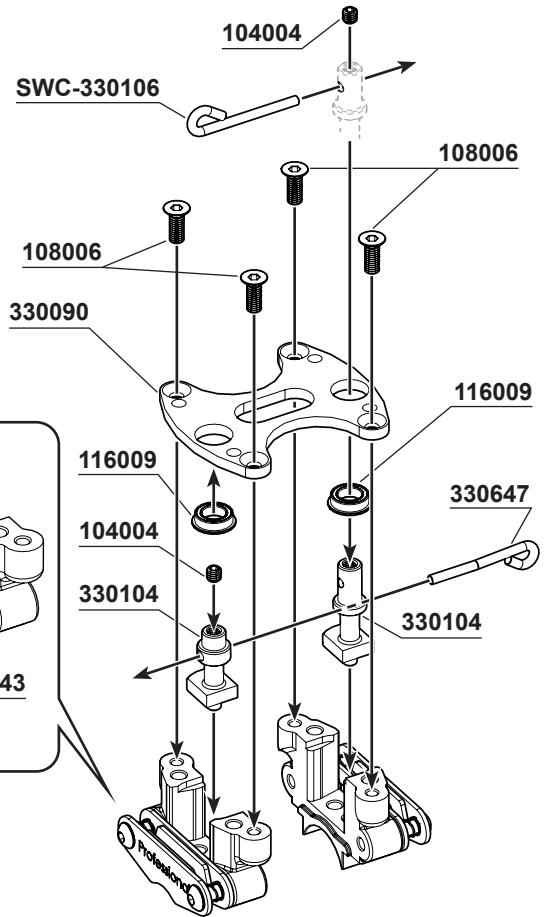
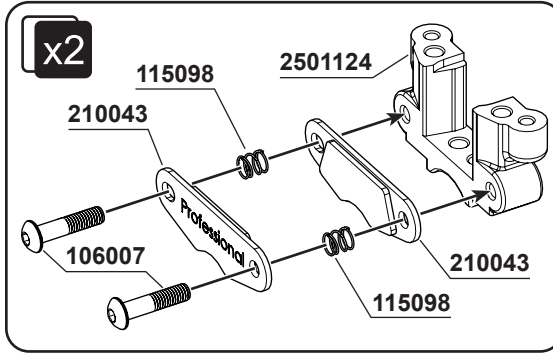
104004
M3x3mm Set Screw x2



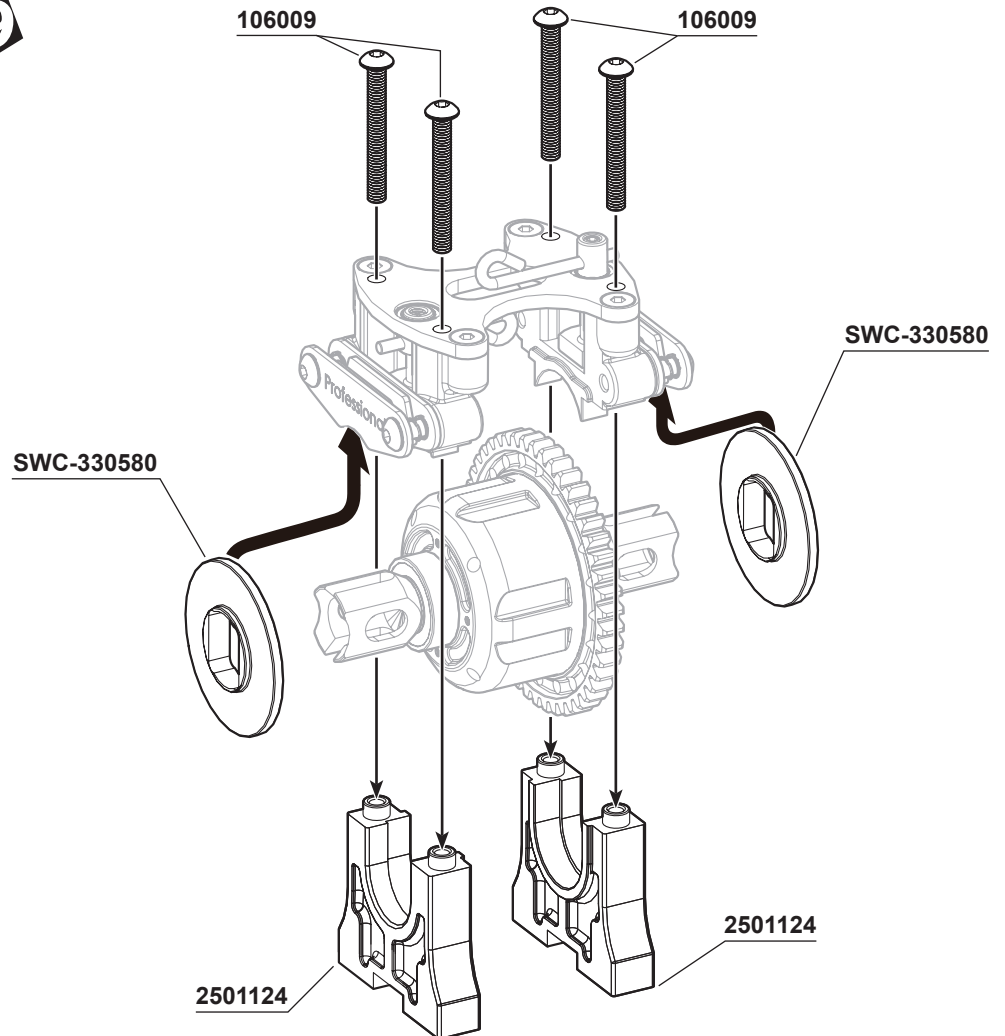
108006
M3x8mm FH/ST HEX Screw x4



116009
Ball Bearing M5x8x2.5mm x2

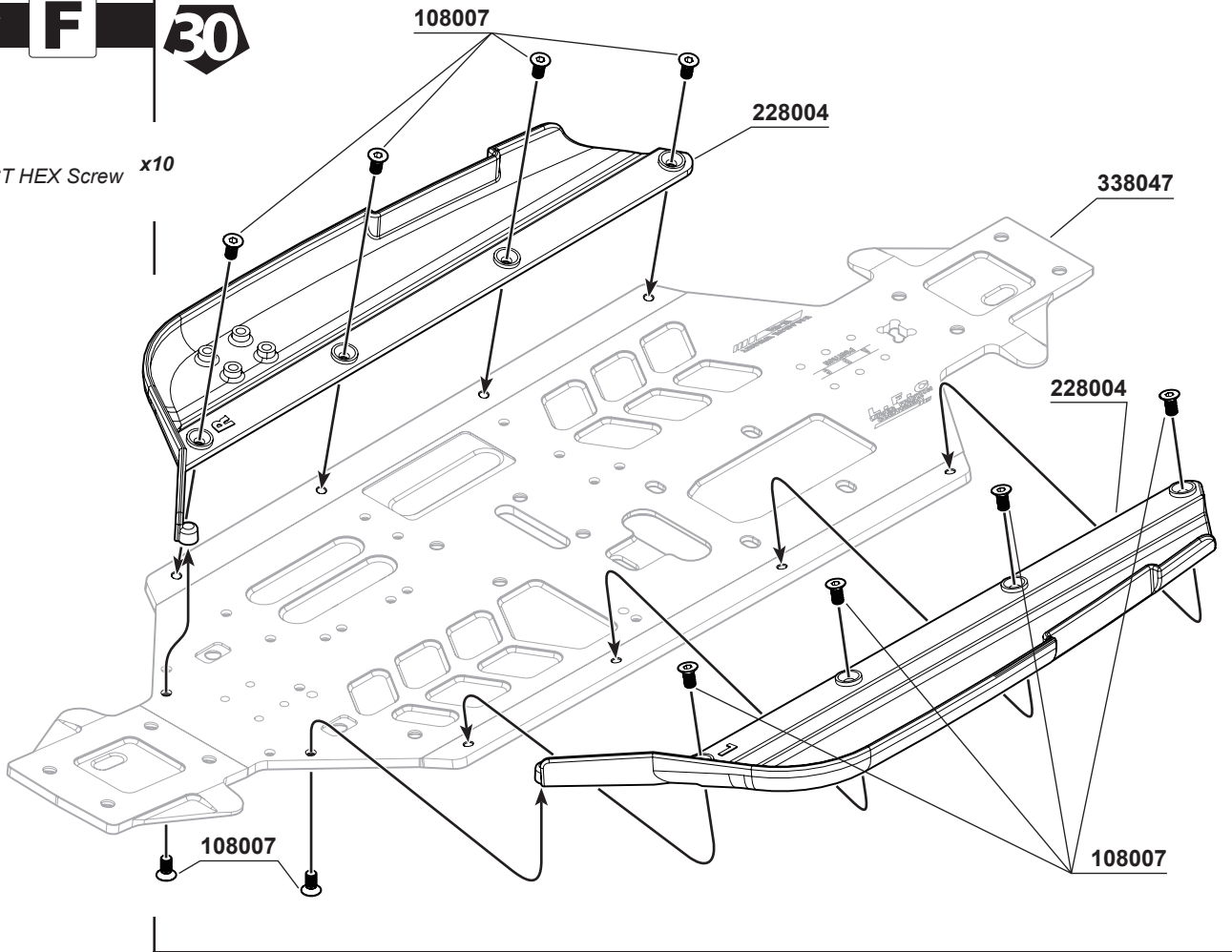


106009
M3x25mm Hex Socket OH/TP Screw x4





108007
M3x6mm FH/ST HEX Screw x10



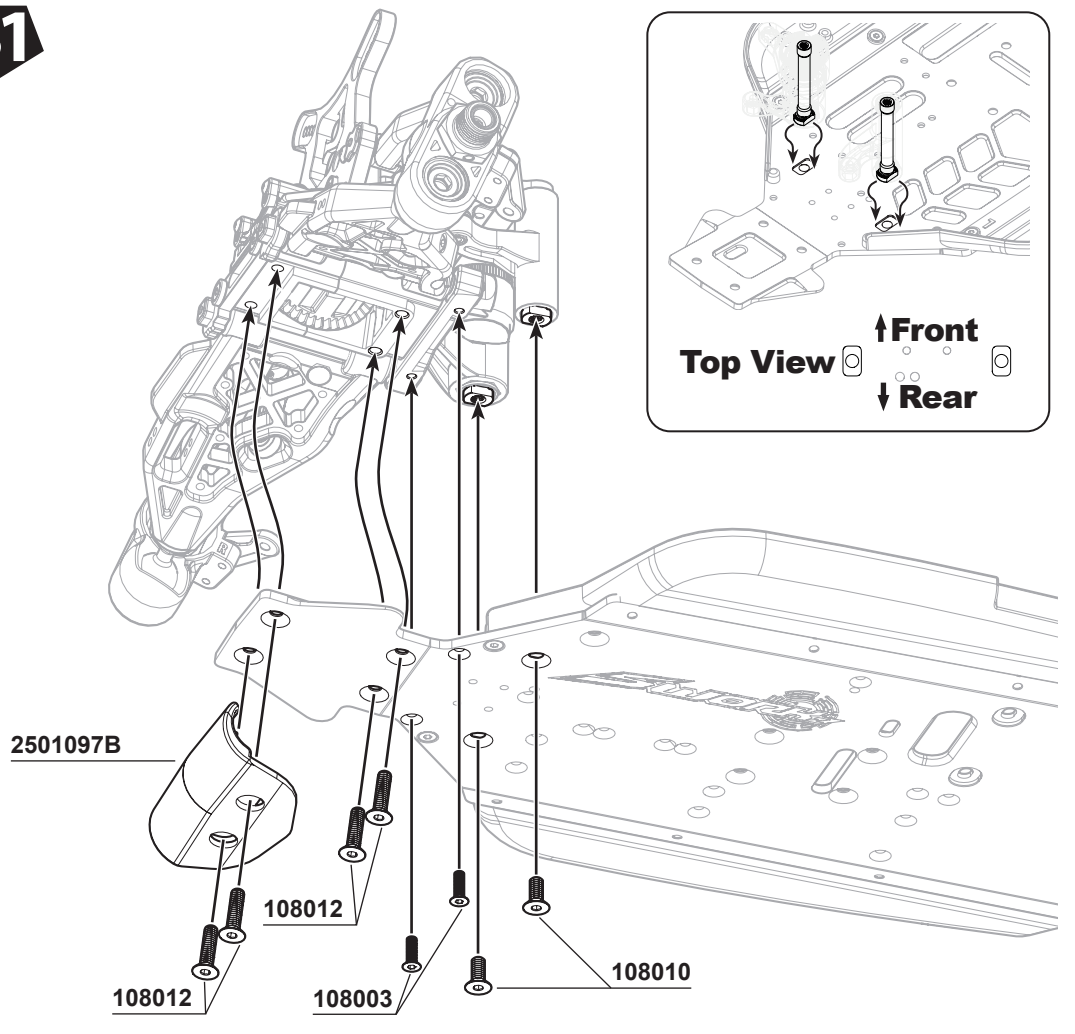
108003
M3x10mm FH/ST HEX Screw x2



108010
M4x10mm FH/ST HEX Screw x2



108012
M4x16mm FH/ST HEX Screw x4

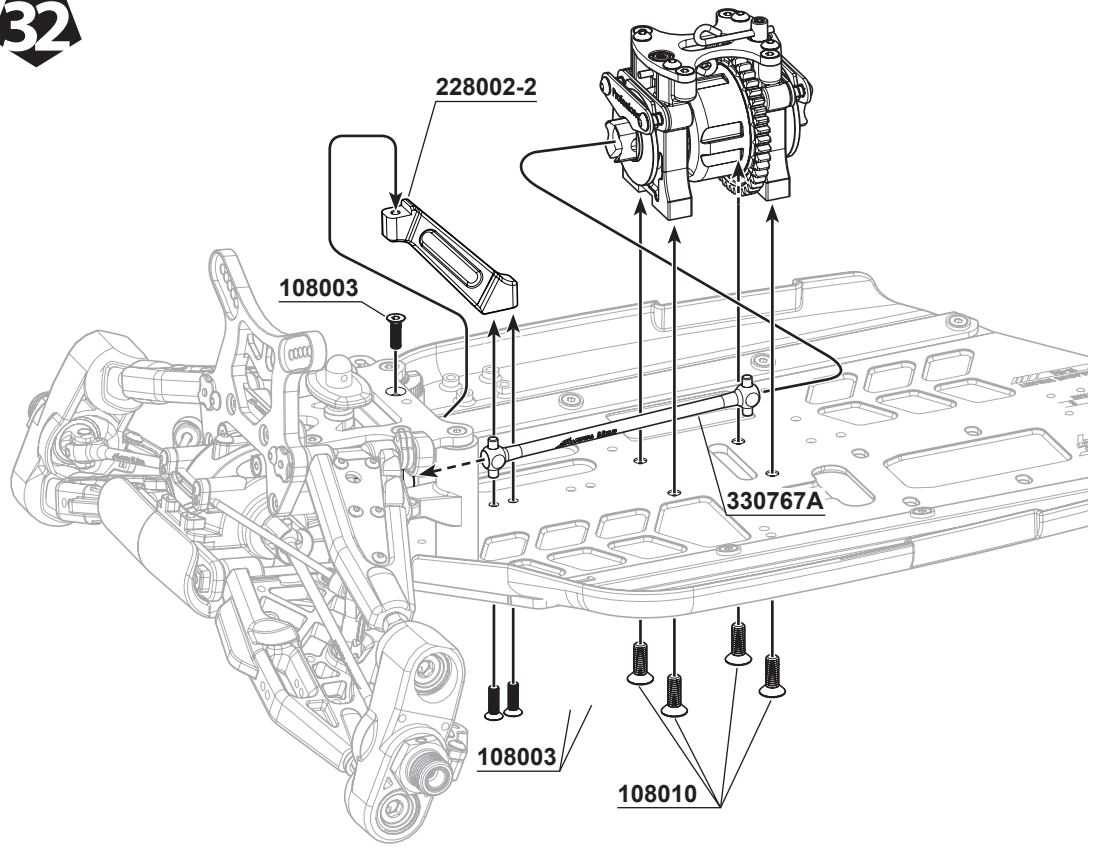




108003
M3x10mm FH/ST HEX Screw x3



108010
M4x10mm FH/ST HEX Screw x4



108012
M4x16mm FH/ST HEX Screw x4



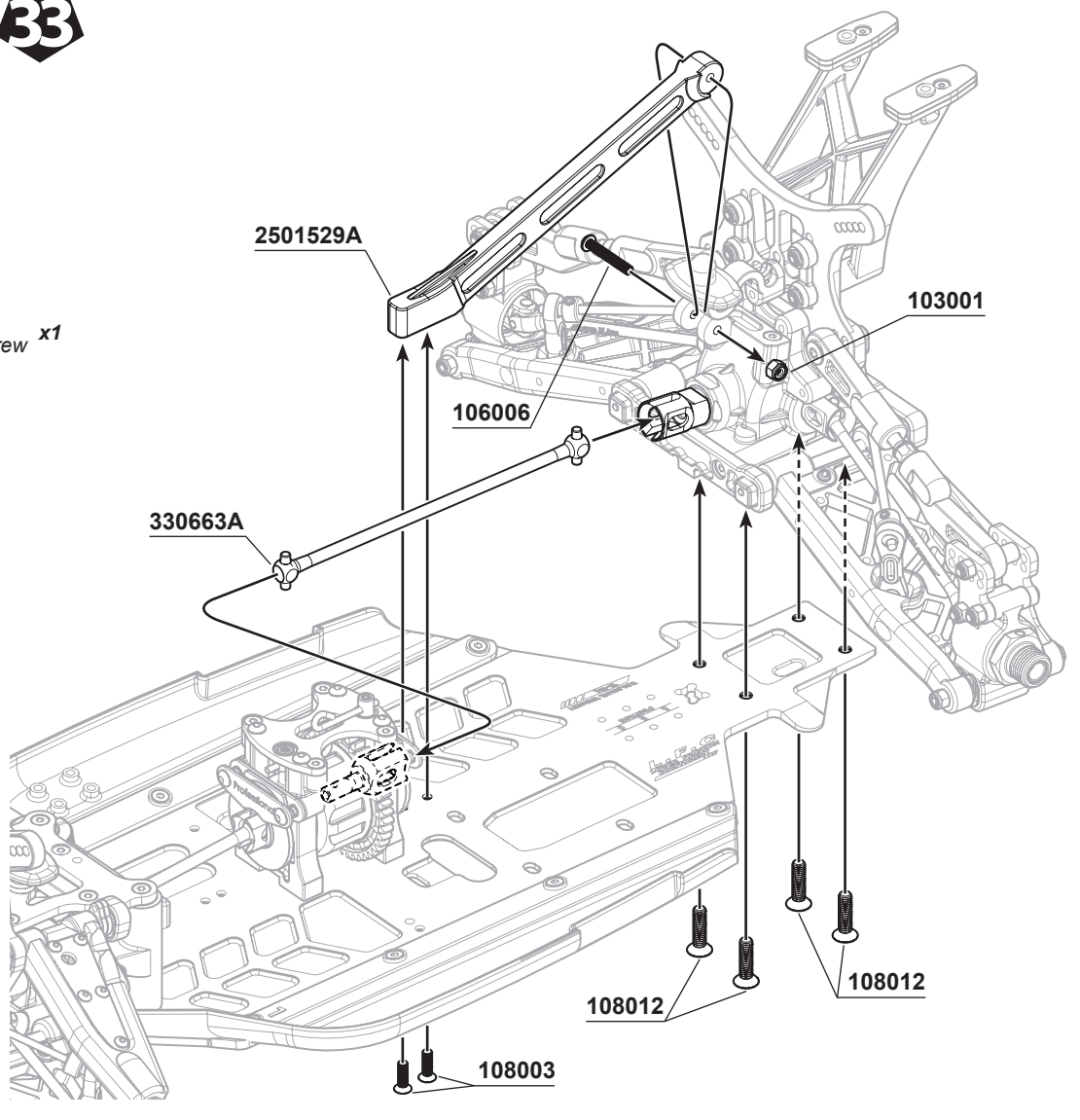
106006
M3x20mm Hex Socket OH/TP Screw x1



103001
M3 Nut Lock x1



108003
M3x10mm FH/ST HEX Screw x2

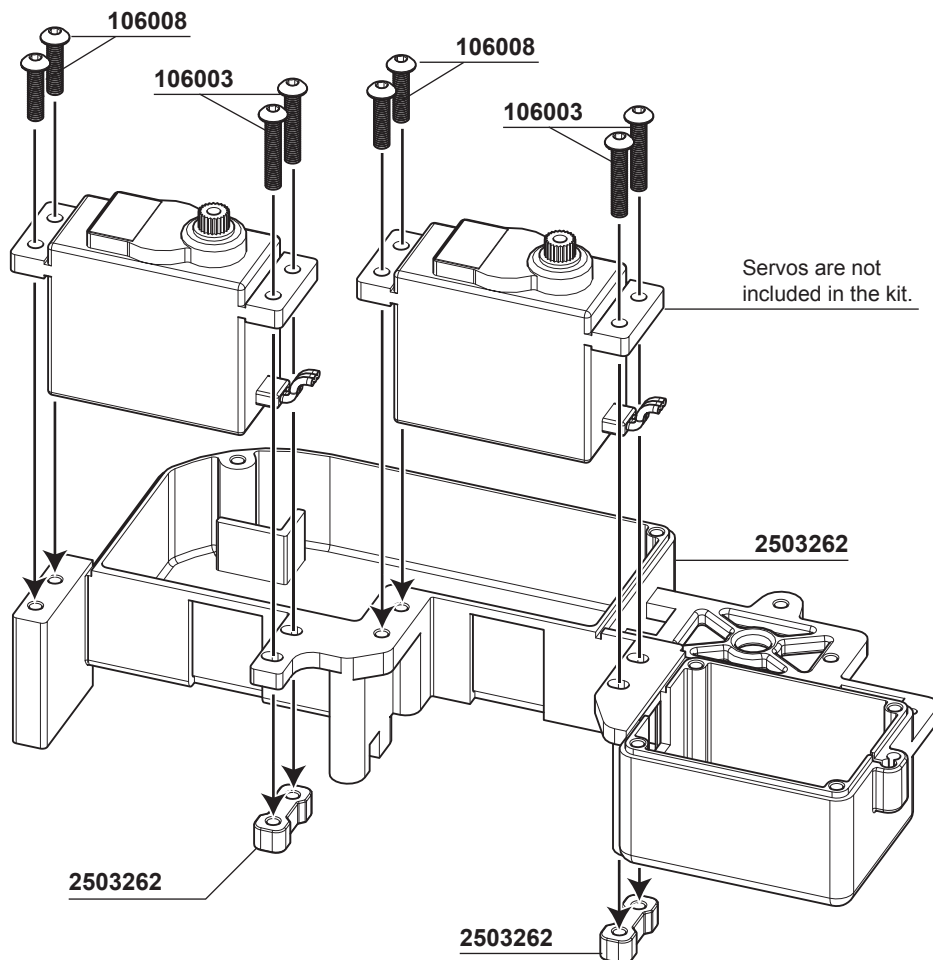




106008
M3x12mm Hex Soket OH/TP Screw x4



106003
M3x16mm Hex Soket OH/TP Screw x4



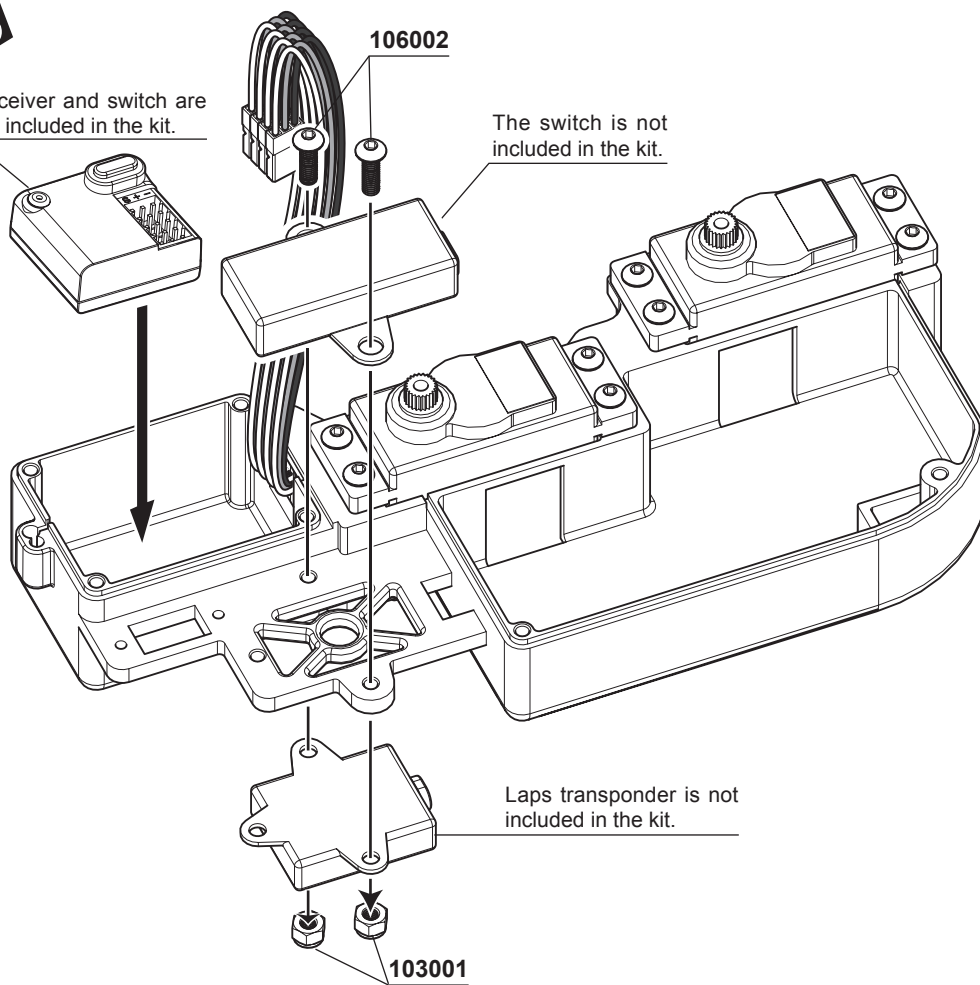
103001
M3 Nut Lock x2



106002
M3x10mm Hex Soket OH/TP Screw x2

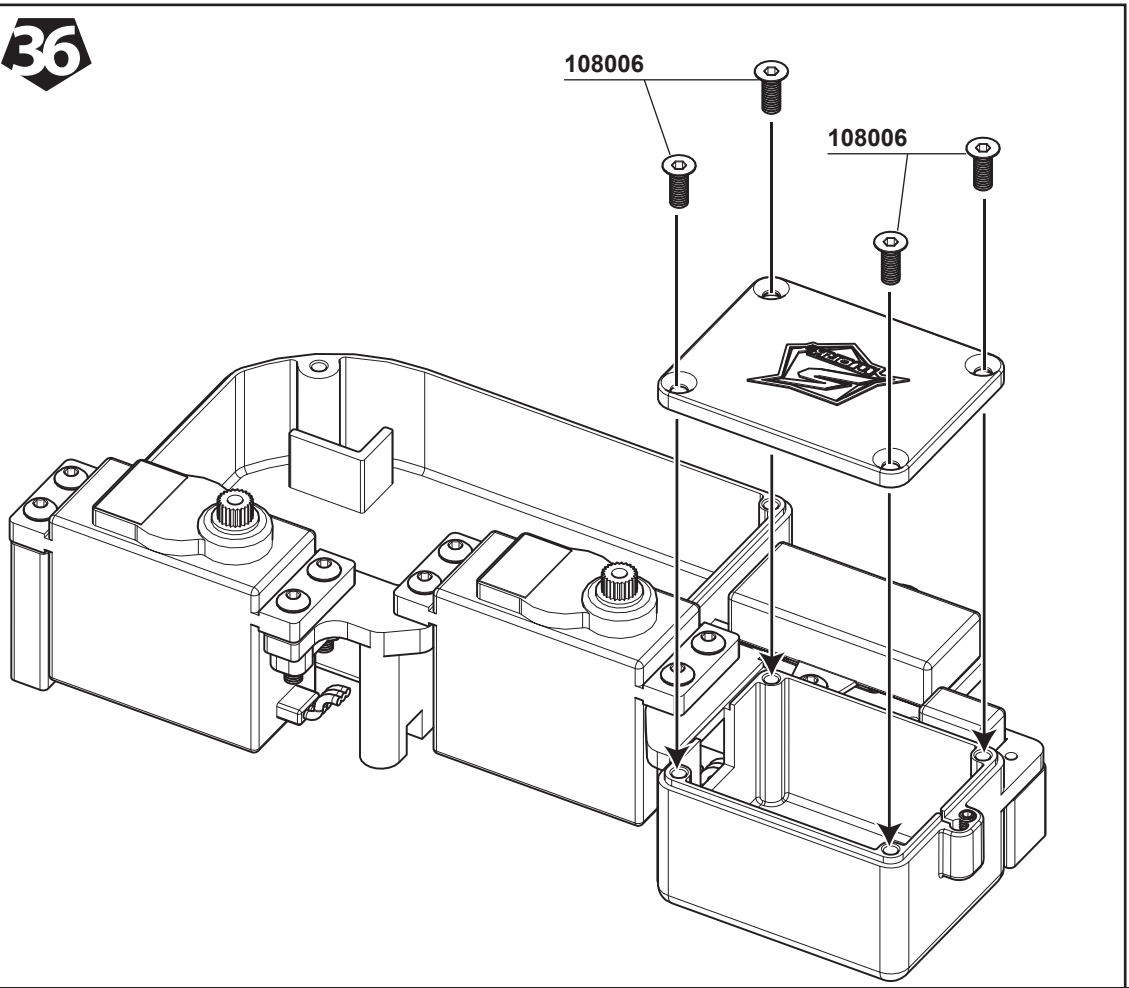
Receiver and switch are not included in the kit.

The switch is not included in the kit.





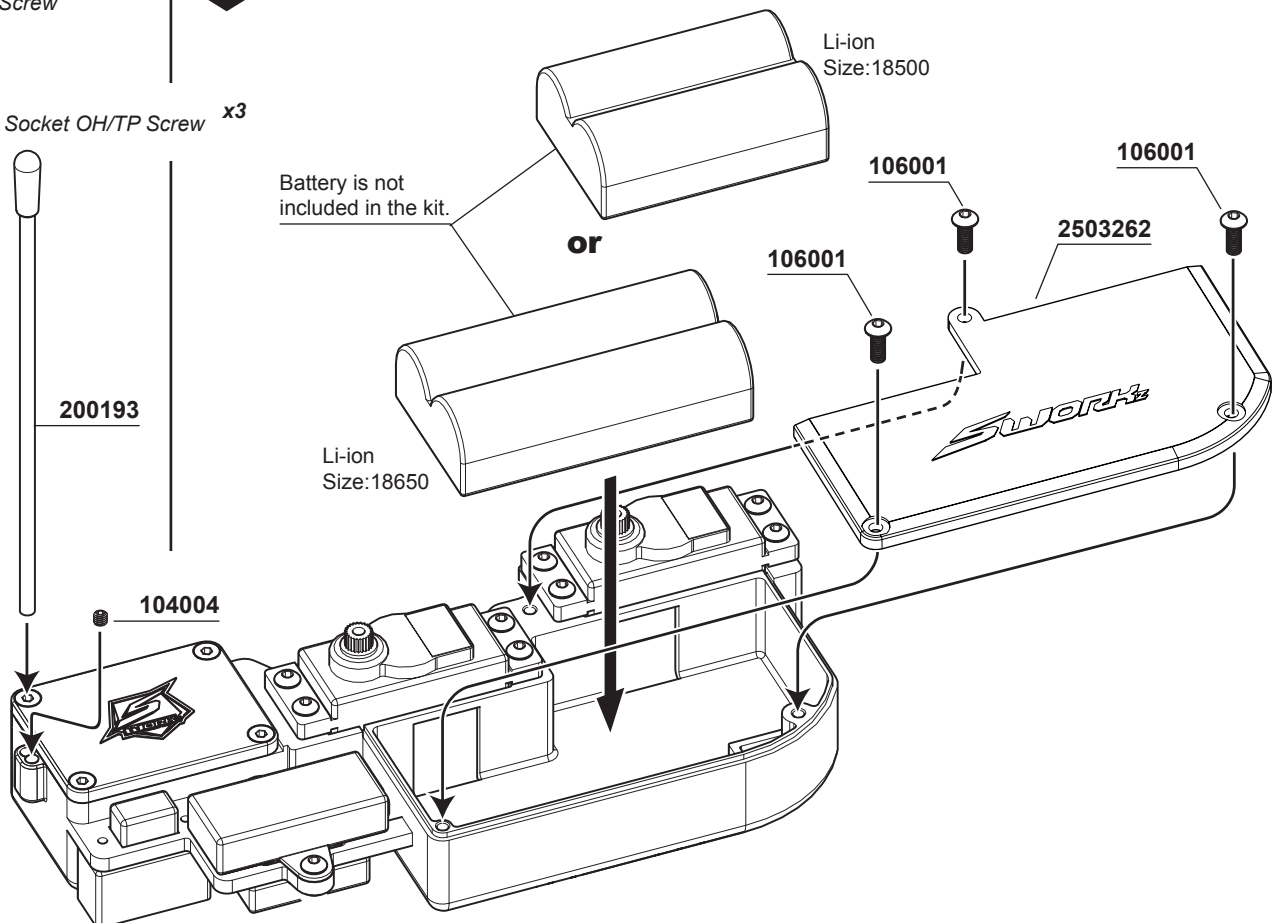
108006
M3x8mm FH/ST HEX Screw x4



104004
M3x3mm Set Screw x1

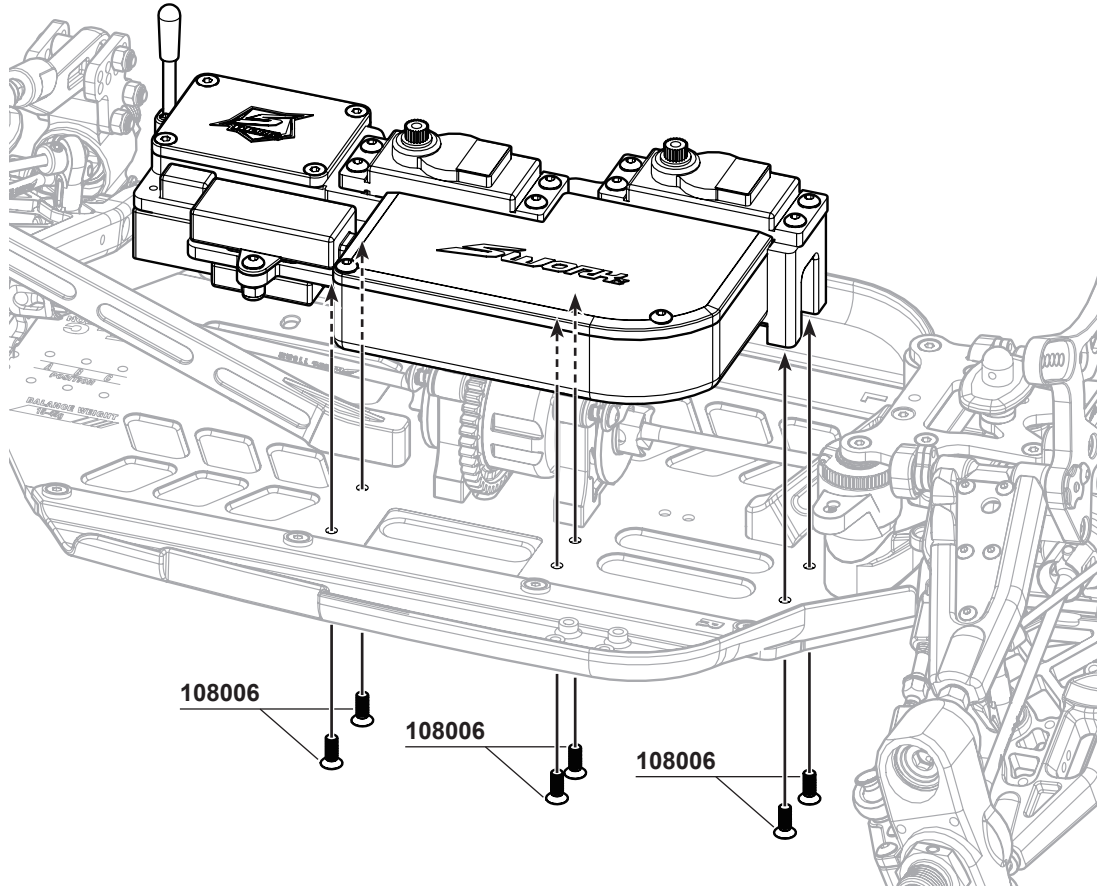


106001
M3x8mm Hex Socket OH/TP Screw x3





108006
M3x8mm FH/ST HEX Screw x6



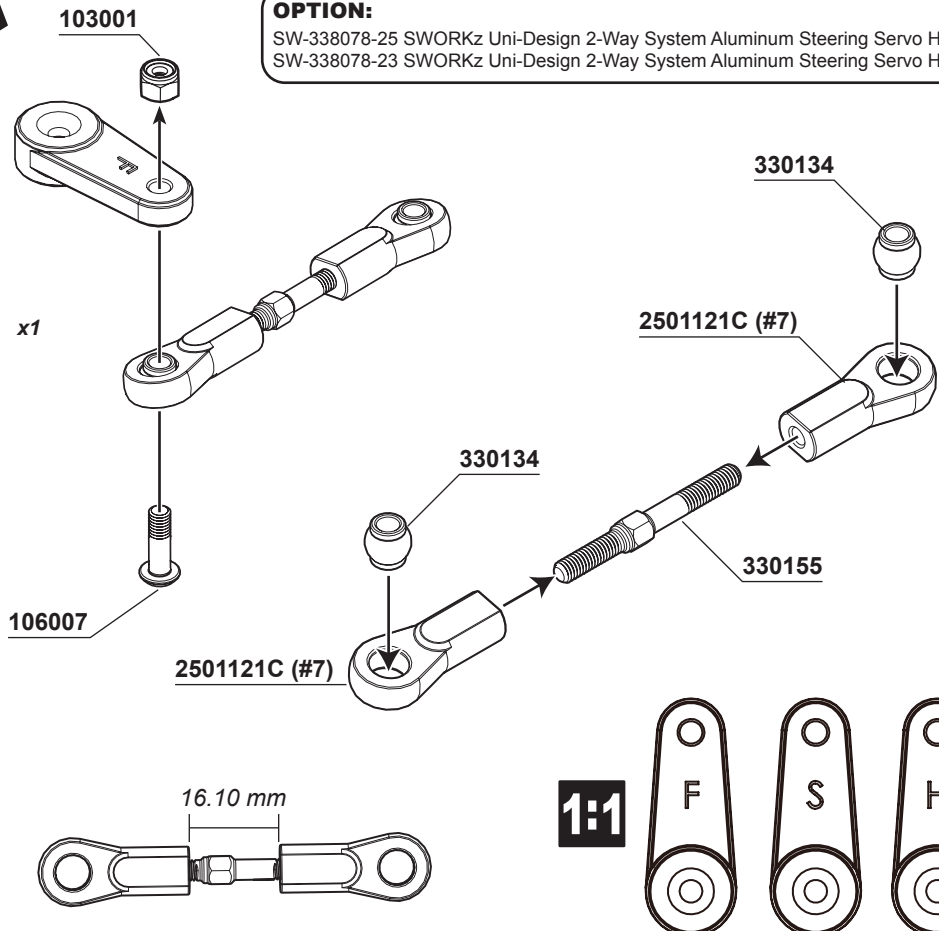
106007
M3x12mm Hex Socket OH/TP Screw (HT) x1

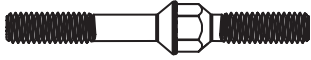


330155
Steering Servo Turnbuckle (M3x30mm) x1

OPTION:

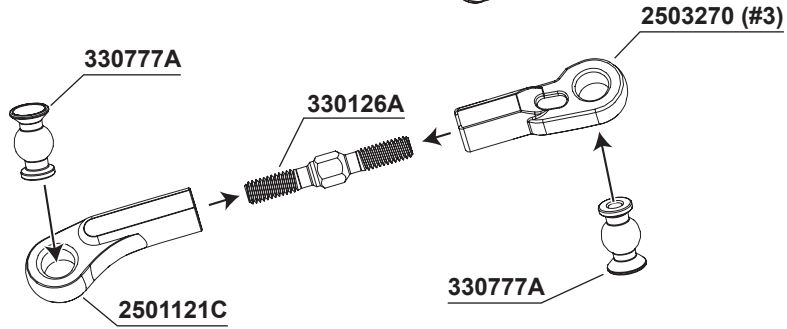
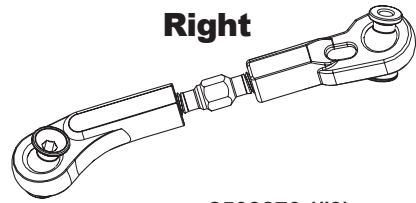
SW-338078-25 SWORKz Uni-Design 2-Way System Aluminum Steering Servo Horn 25T
SW-338078-23 SWORKz Uni-Design 2-Way System Aluminum Steering Servo Horn 23T



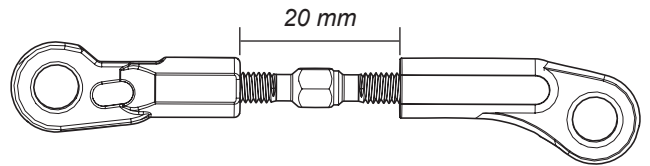


330126A
Steering Turnbuckle **x2**

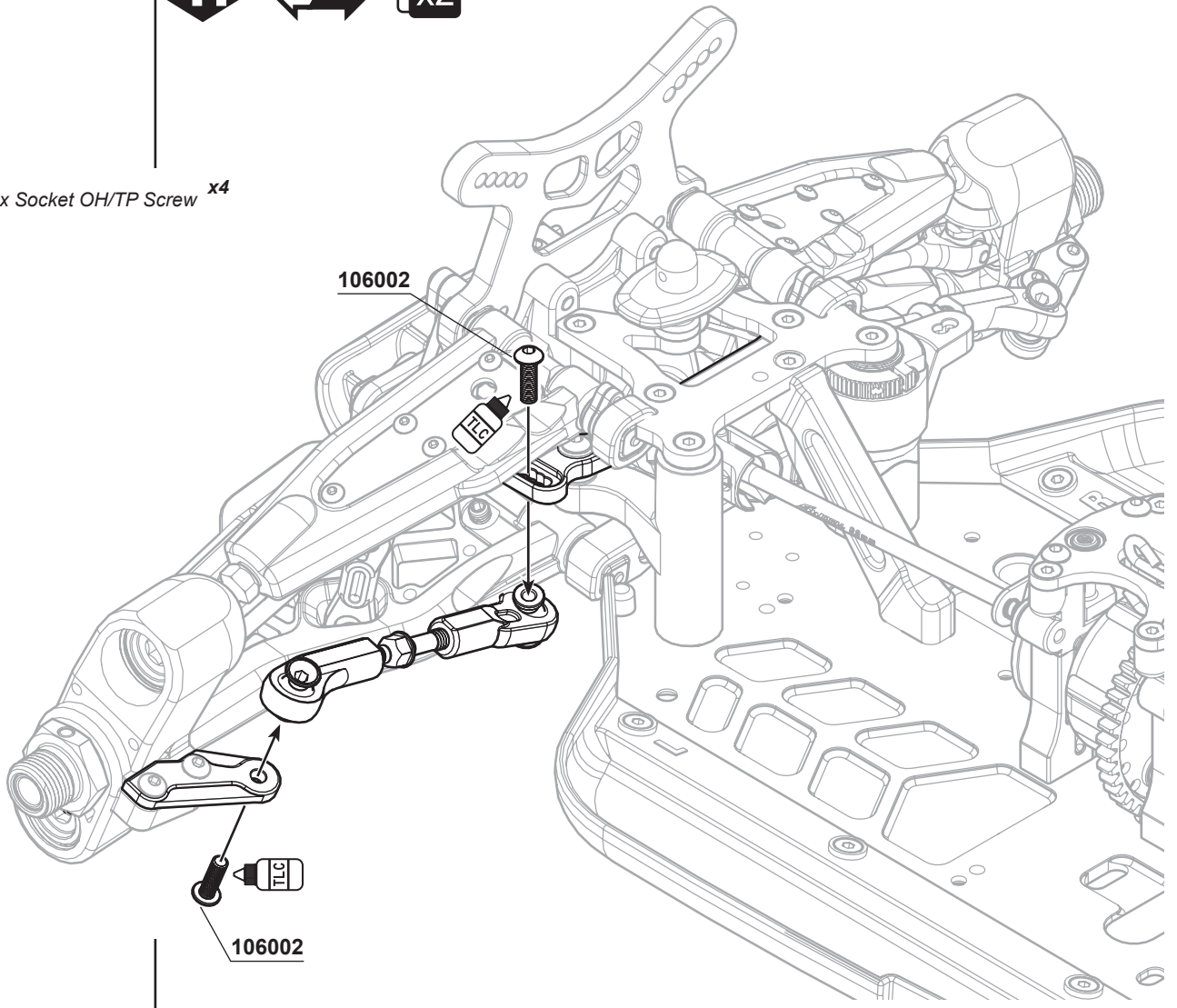
Right



1:1



106002
M3x10mm Hex Socket OH/TP Screw **x4**



BAG G

42



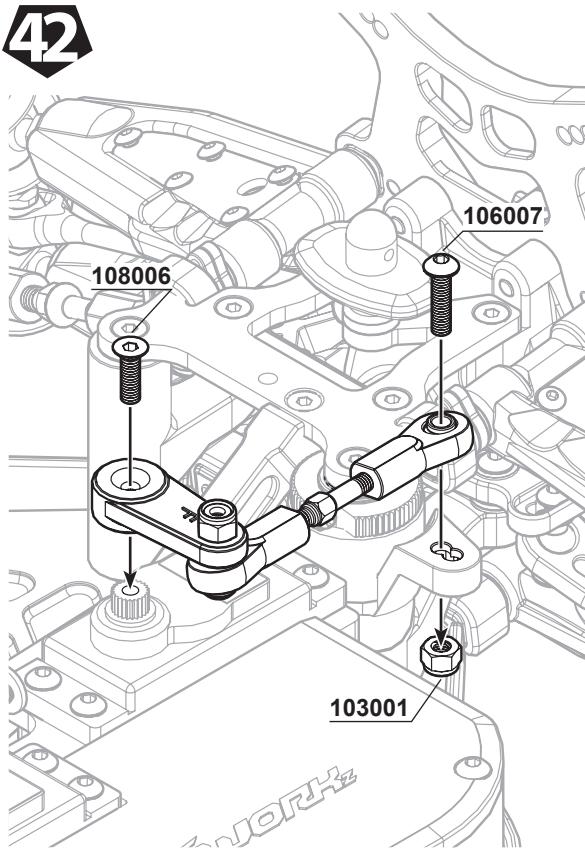
108006
M3x8mm FH/ST HEX Screw x1



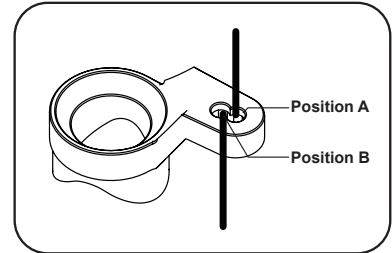
106007
M3x12mm Hex Socket OH/TP Screw (HT) x1



103001
M3 Nut Lock x1



SW-338052
S35-4 Series T7 Aluminum Setting Bellcrank Upper Part-A (with 2Hole)



If servo saver arms are not included use this:

Position A: Standard steering response location. Use of a 2.5mm longer servo saver arm is required.

If servo saver arms are included use this:

Position A: Standard steering response location. Use of the included 2.5mm longer servo saver arm is required.

Position B: Quick steering response location. Standard servo saver arm can be used.

BAG H

43



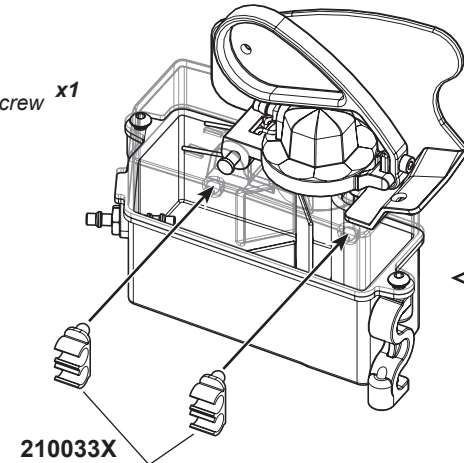
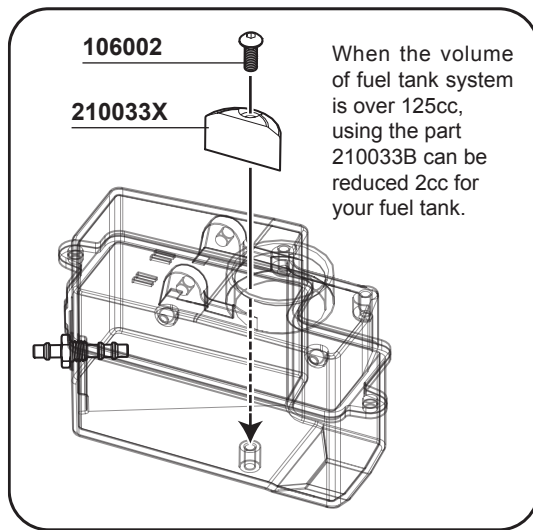
108006
M3x8mm FH/ST HEX Screw x2



106002
M3x10mm Hex Socket OH/TP Screw x3

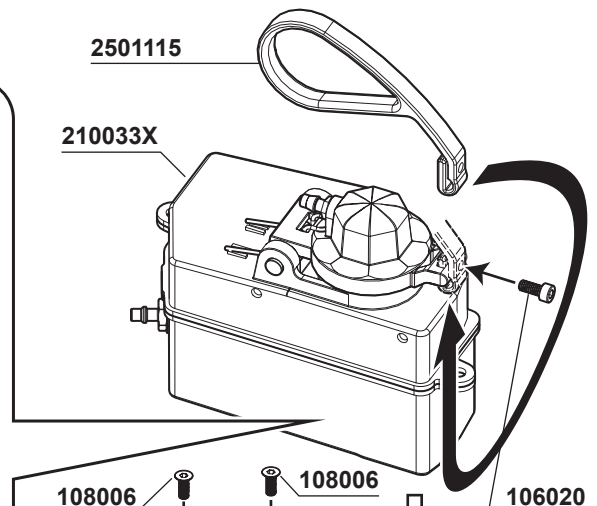


106020
M2.5x5mm Hex Socket OH/TP Screw x1



2501115

210033X



108006

108006

106020

2502040

106002

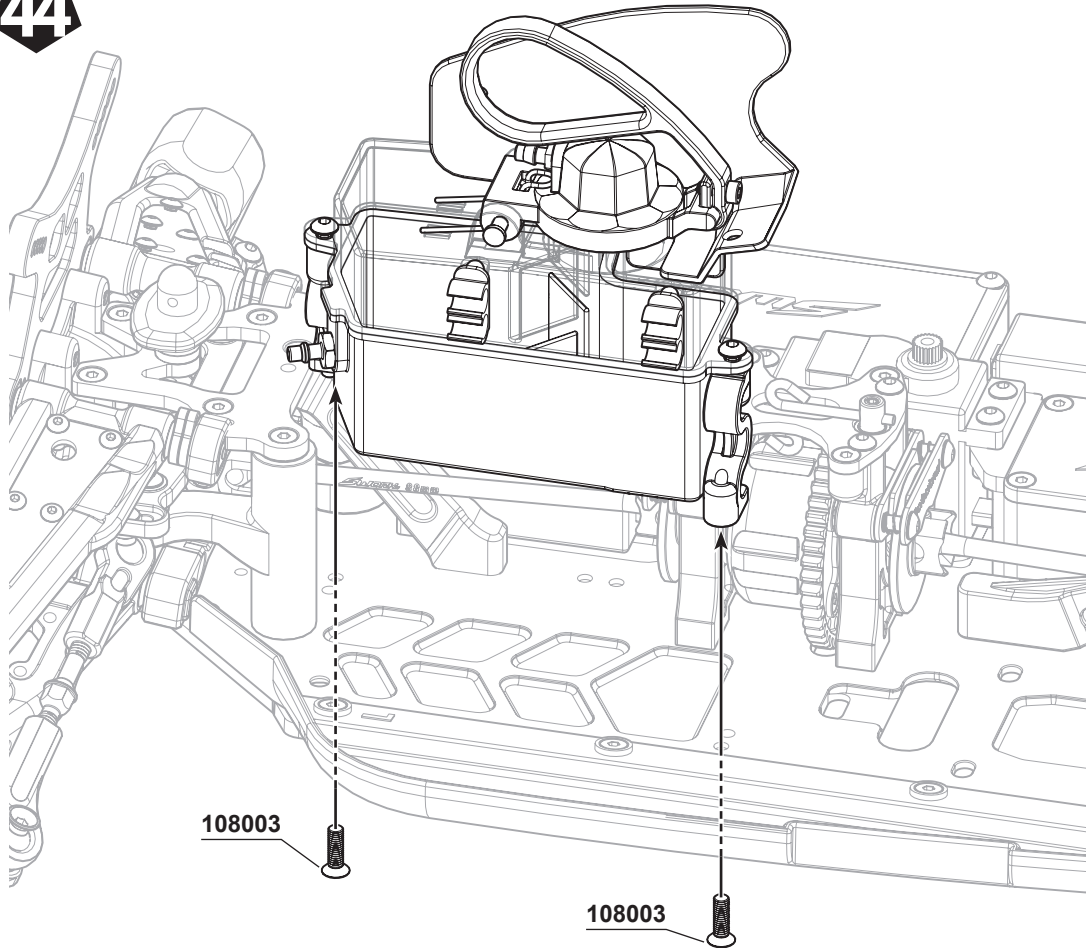
106002

210033X

210033X



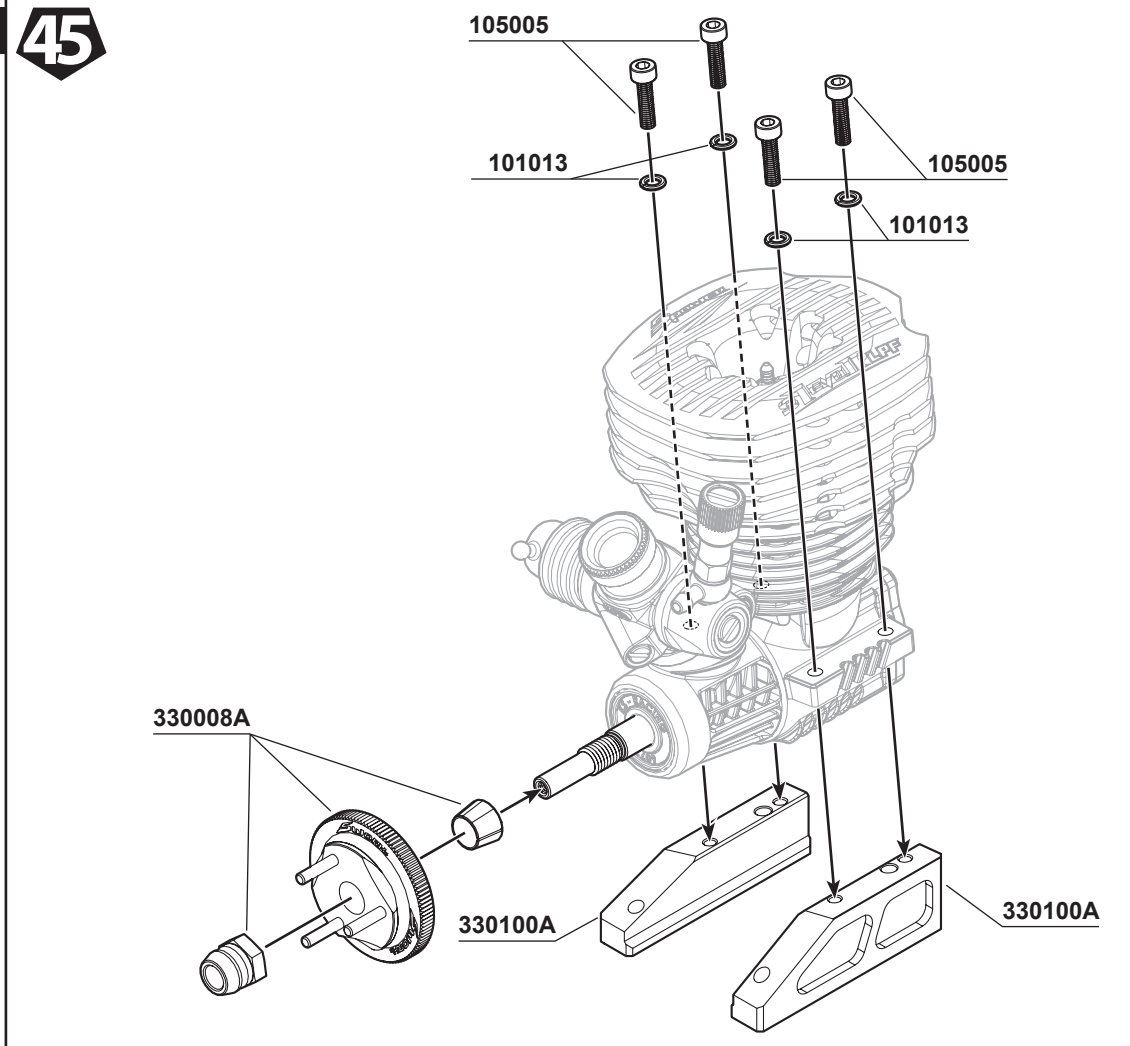
108003
M3x10mm FH/ST HEX Screw x2



105005
M3x12mm Cap Screw x4



101013
3mm Spring Washer x4





105001
M3x8mm Cap Screw x1



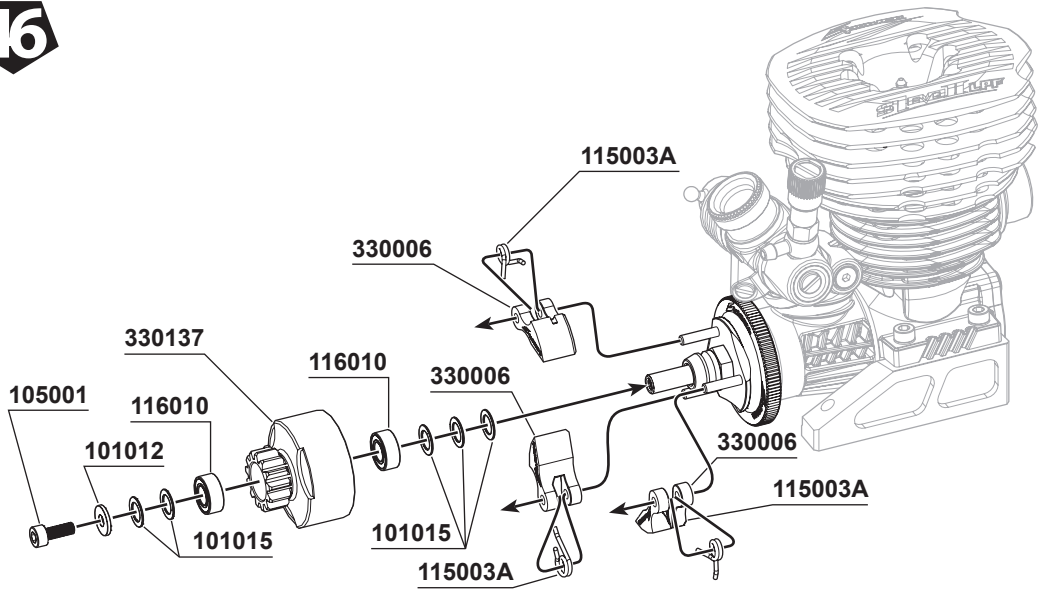
101012
M3x6xT0.6mm x1



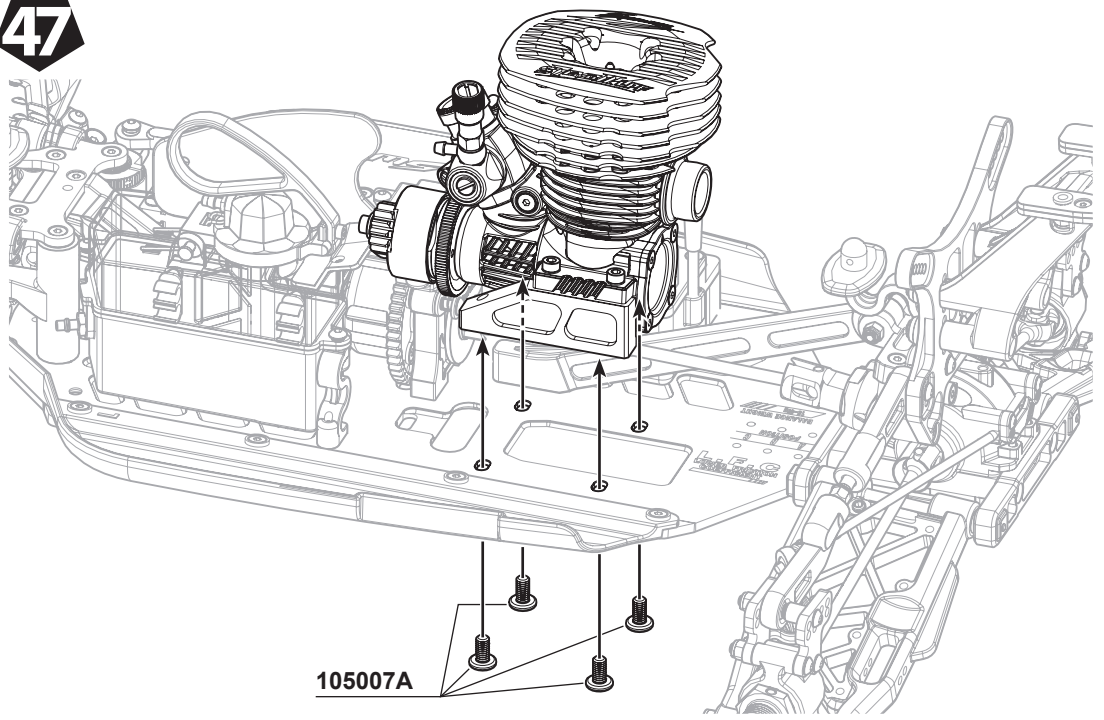
101015
M5x8xT0.4mm x5



116010
Ball Bearing 5x10x4mm x2



105007A
M4x8mm I-Head Screw x4

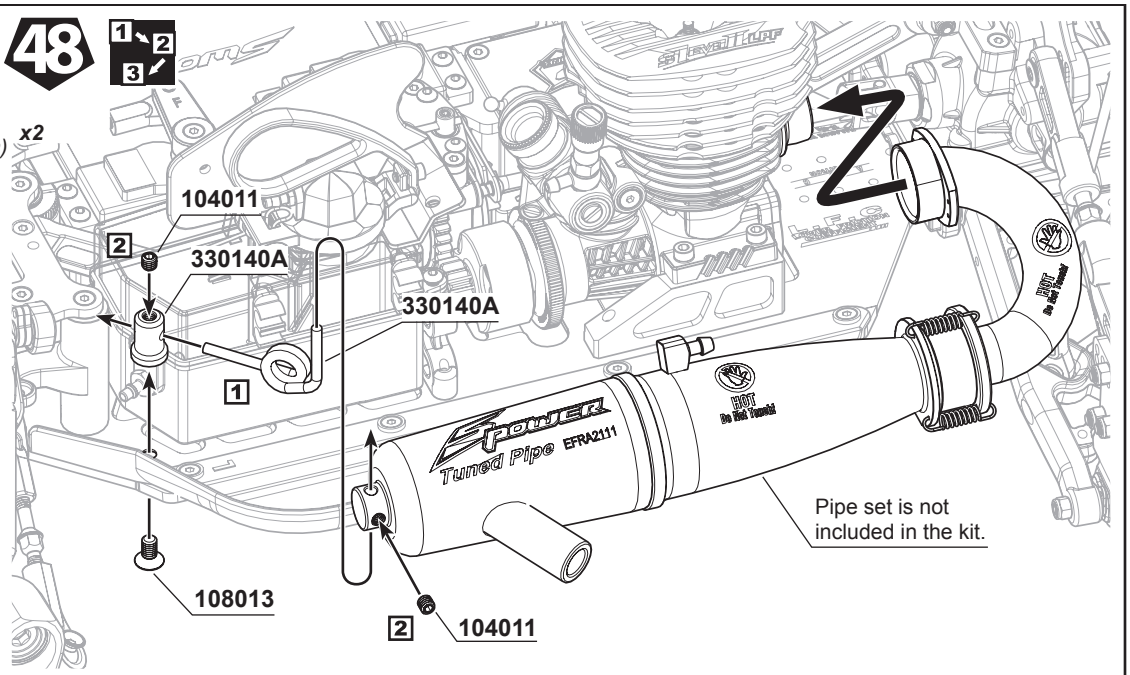


104011
M4x4mm Set Screw (Flat Bottom) x2



108013
M4x8mm FH/ST HEX Screw x1

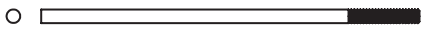
1-2
3-4



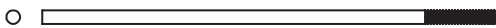
104004
M3x3mm Set Screw x6



106007
M3x12mm Hex Socket OH/TP Screw(HT) x1



210018
Throttle Rod 50mm x1



210018
Throttle Rod 60mm x2



330157A
Brake Adjuster Knob x2



106020
M2.5x5mm Hex Socket OH/TP Screw x3



108006
M3x8mm FH/ST HEX Screw x1

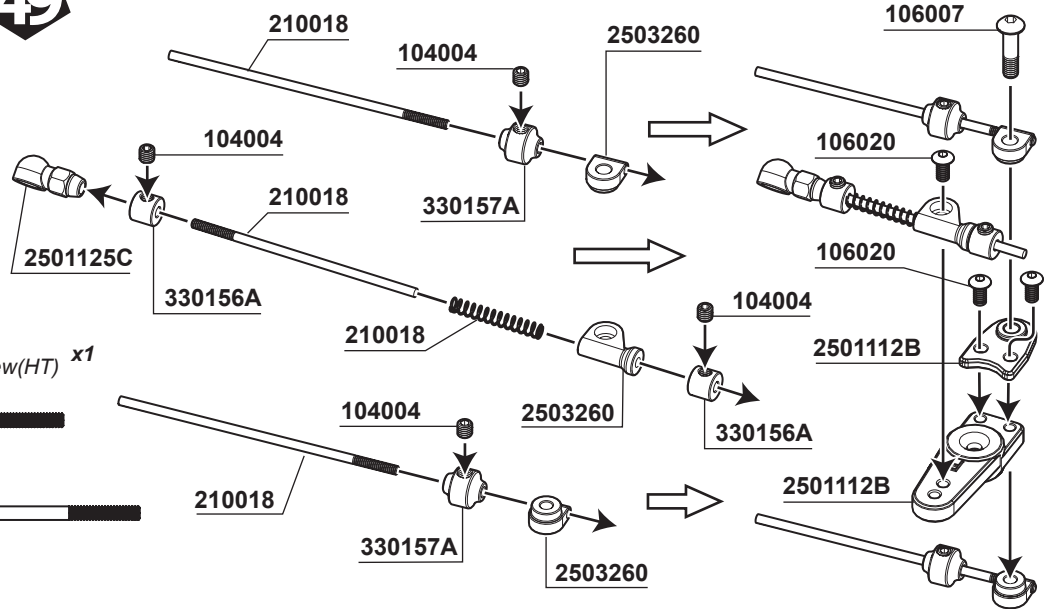


330156A
Adjuster Knob x4

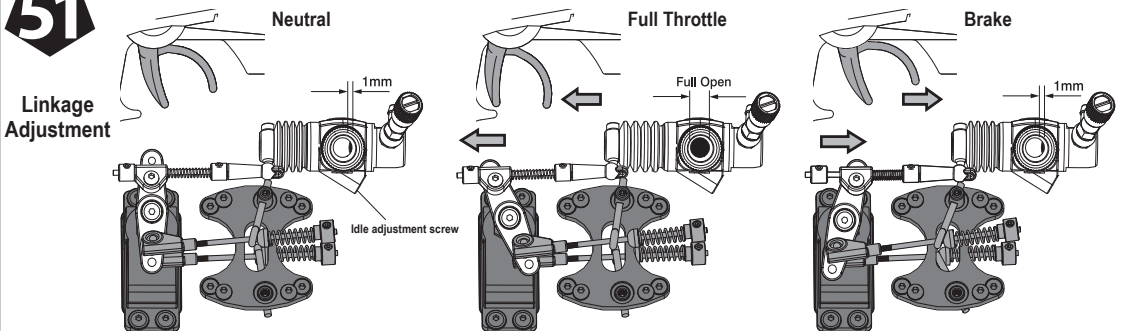
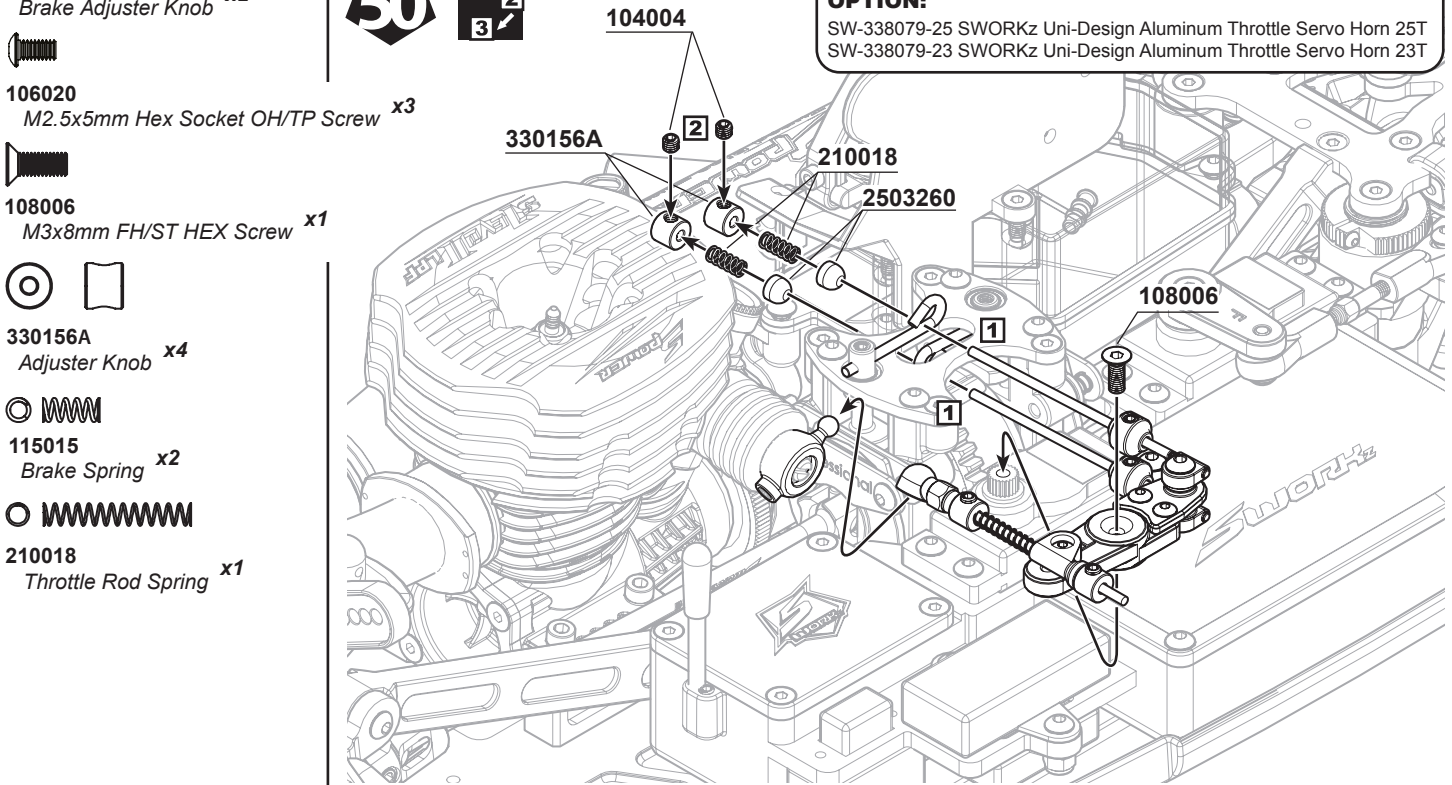
115015
Brake Spring x2



210018
Throttle Rod Spring x1



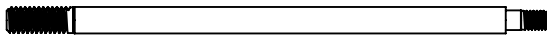
OPTION:
SW-338079-25 SWORKz Uni-Design Aluminum Throttle Servo Horn 25T
SW-338079-23 SWORKz Uni-Design Aluminum Throttle Servo Horn 23T



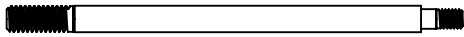
※ Turn on the transmitter and receiver. Set the throttle servo trim in neutral. Adjust the idle adjustment screw to make the carburettor opening no more than 1mm. Adjust the position of servo horn. Check that it operates smoothly without making the operation of the other parts difficult. Make sure the brake does not work in this setting.

※ Adjust the servo horn to fully open the carburettor. Change the position of servo horn if the carburettor is not fully open or opens too much. If your transmitter has a function to adjust throttle end points, make an adjustment this way.

※ Adjust the position of servo horn to make the brakes function. Make sure the brakes do not work when the servo trim is in neutral.



338062
S35-4 Series BBS System Tefron Coated Shock Shaft (L) x2



338063
S35-4 Series BBS System Tefron Coated Shock Shaft (S) x2



103004
M2.5mm Nut Lock x4



210058
Shock Seal Washer 3.5X7X1.0mm x4



210058
Shock Seal Washer 3.6X7X2.5mm x8



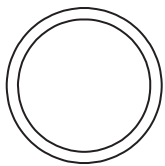
101011
M2.6x6xT0.6mm x4



210058
Shock Seal O-Ring x8



400020
Shock Seal O-Ring x4



400019
Shock Spring Adjust Nut O-Ring x4



108029
M2.0x4.6mm FH/ST HEX Screw (1.5mm HexHead) x4

Front 338061(S)
Rear 338060(L)

Front 338063(S)
Rear 338062(L)

103004

330562A
330563A

101011

400020

210058

330557

228006

Front 400010(S)
Rear 400009(L)

53

Emulsion shock cap system assembly note

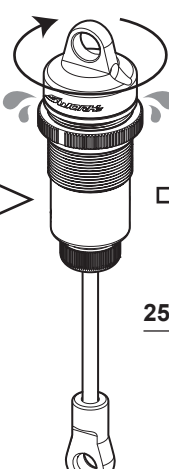
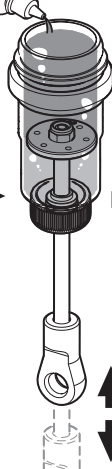
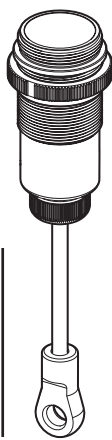
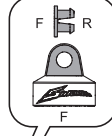
Note the direction!

338067

UP ↑

DOWN ↓

400023



2501121C

108029

35 mm

45.25 mm

1:1

Slowly push the shock shaft to the end of shock cap. Then tight screw M2x4mm

54



115164
S35 Series Black Competition Front Shock Spring (M3-Dot)(75X1.6X9.0) x2



115183
S35-4 Black Competition Front Shock Spring (US3-Dot)(62X1.6X7.75) x2

228006

330560

330134

400019

Front SWC-115183
Rear SWC-115164

338062
S35-4 Series BBS System Tiefron Coated Shock Shaft (L) **x2**

338063
S35-4 Series BBS System Tiefron Coated Shock Shaft (S) **x2**

103004
M2.5mm Nut Lock **x4**

210058
Shock Seal Washer 3.5X7X1.0mm **x4**

210058
Shock Seal Washer 3.6X7X2.5mm **x8**

101011
M2.6x6xT0.6mm **x4**

210058
Shock Seal O-Ring **x8**

400020
Shock Seal O-Ring **x4**

400019
Shock Spring Adjust Nut O-Ring **x4**

108029
M2.0x4.6mm FH/ST HEX Screw (1.5mm HexHead) **x4**

Front 338061(S)
Rear 338060(L)

Front 338063(S)
Rear 338062(L)

103004

330562A
330563A

101011

400020

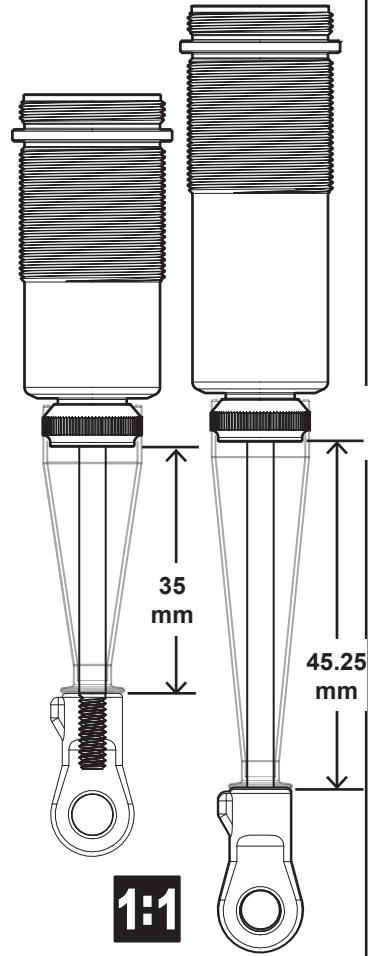
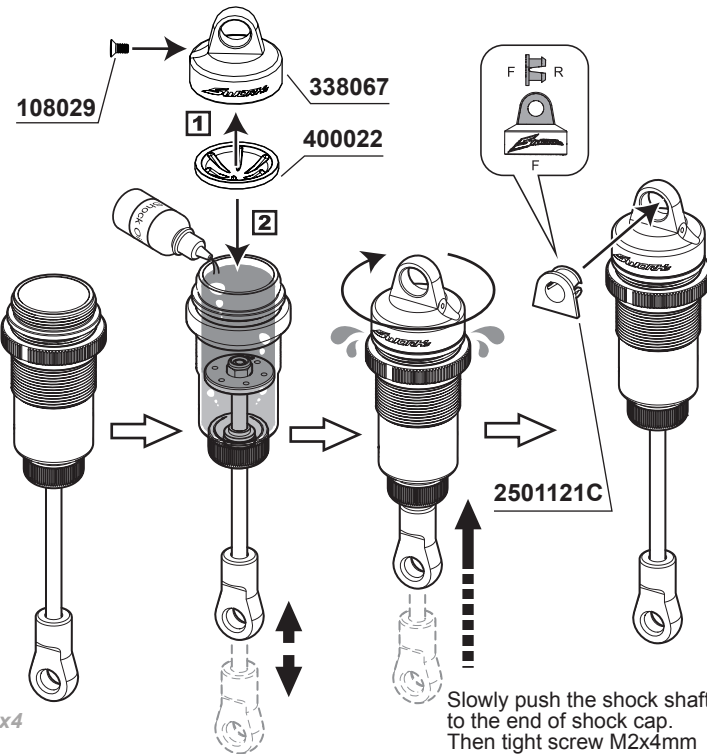
210058

330557

228006

Front 400010(S)
Rear 400009(L)

Standard bladder shock cap assembly note



115164
S35 Series Black Competition Front Shock Spring (M3-Dot)(75X1.6X9.0) **x2**

115183
S35-4 Black Competition Front Shock Spring (US3-Dot)(62X1.6X7.75) **x2**

228006

330560

330134

Front SWC-115183
Rear SWC-115164

400019

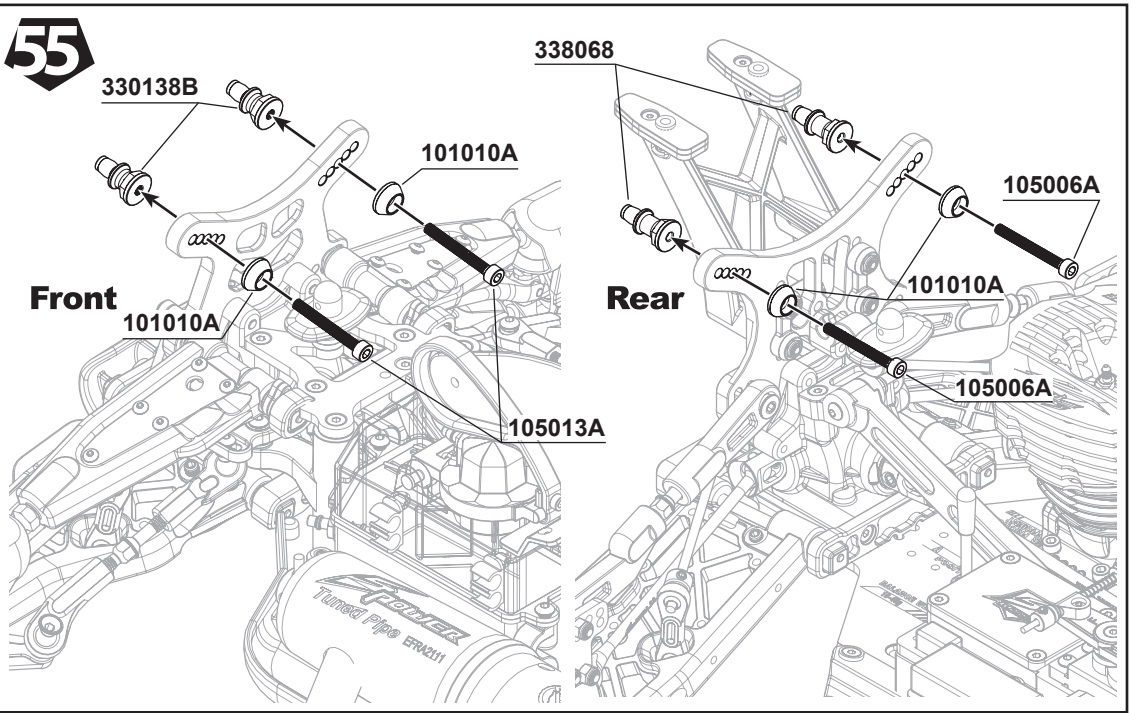
55



105006A
M3x28mm Cap Screw x2

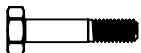


105013A
M3x25mm Cap Screw x2

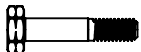


103003A
Flange M3 Nut Lock x1

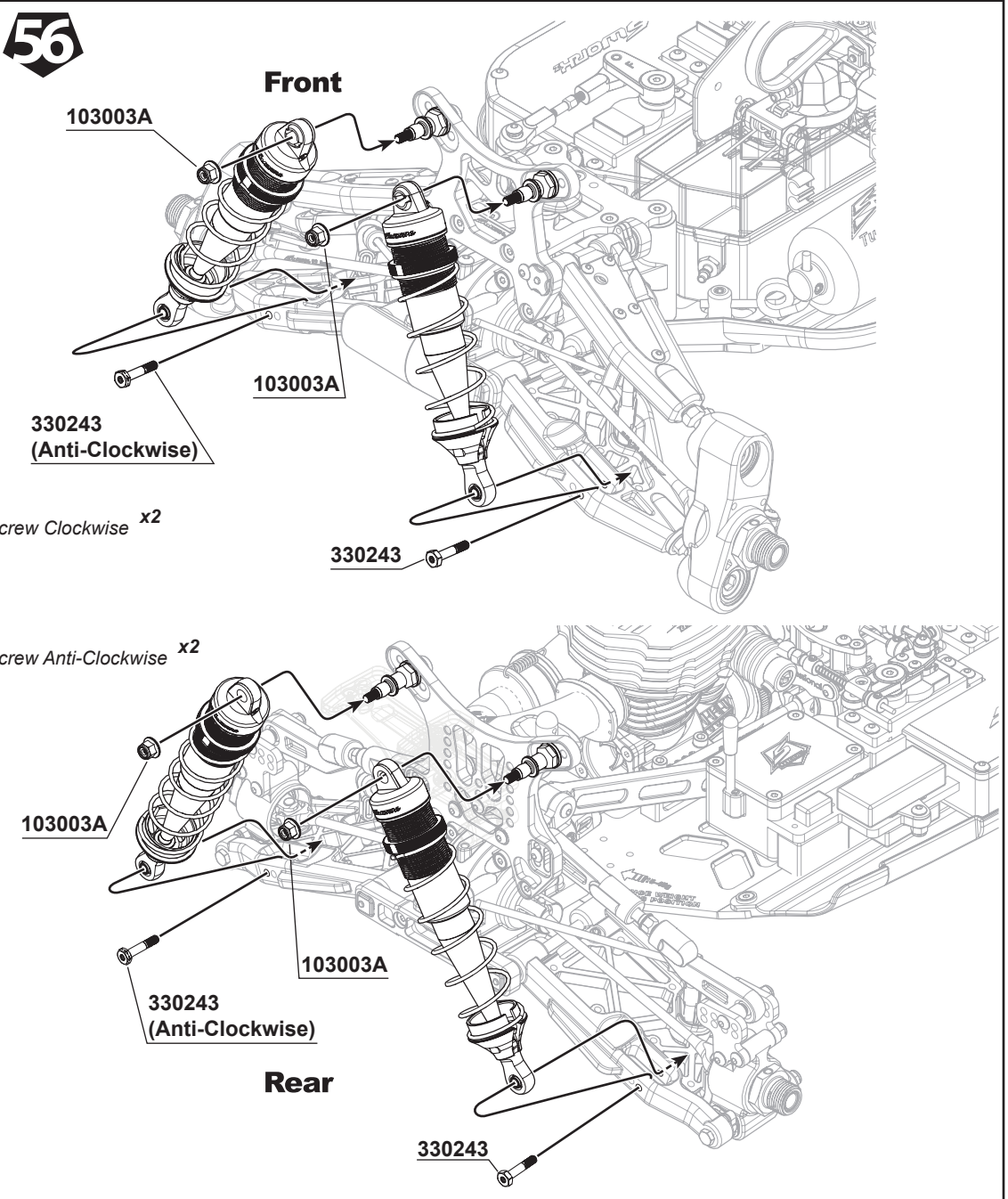
56



330243
SWORKz 3x16mm Shock Hex Screw Clockwise x2



330243
SWORKz 3x16mm Shock Hex Screw Anti-Clockwise x2





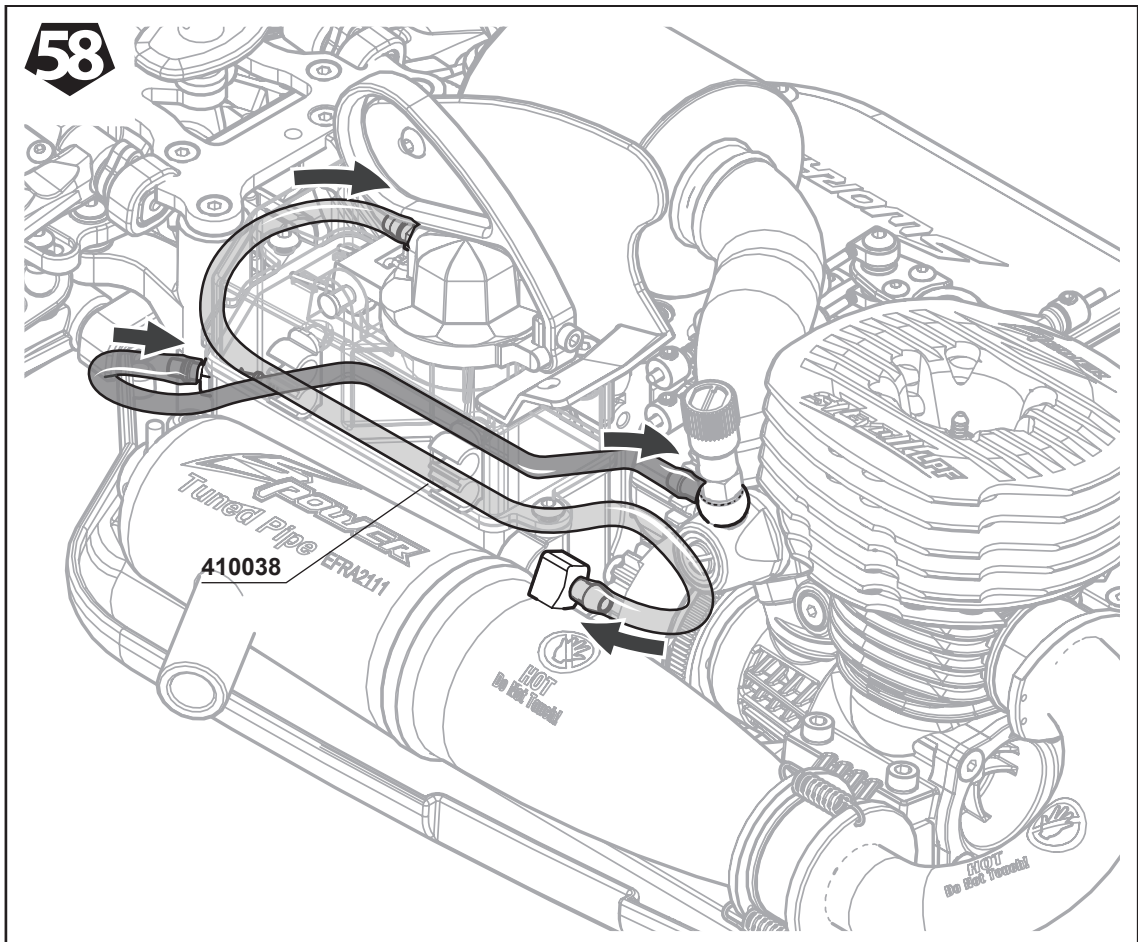
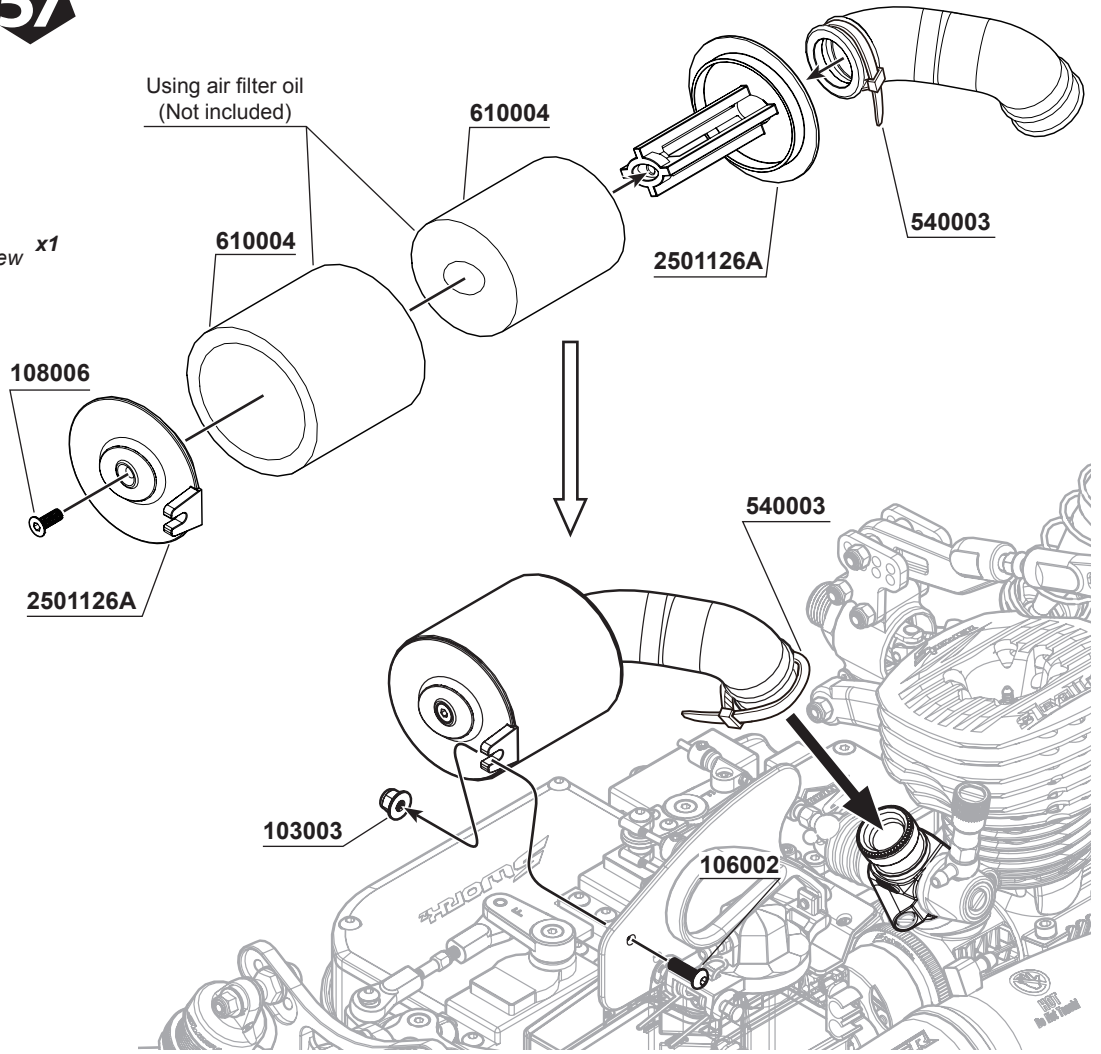
108006
M3x8mm FH/ST HEX Screw x1



106002
M3x10mm Hex Socket OH/TP Screw x1



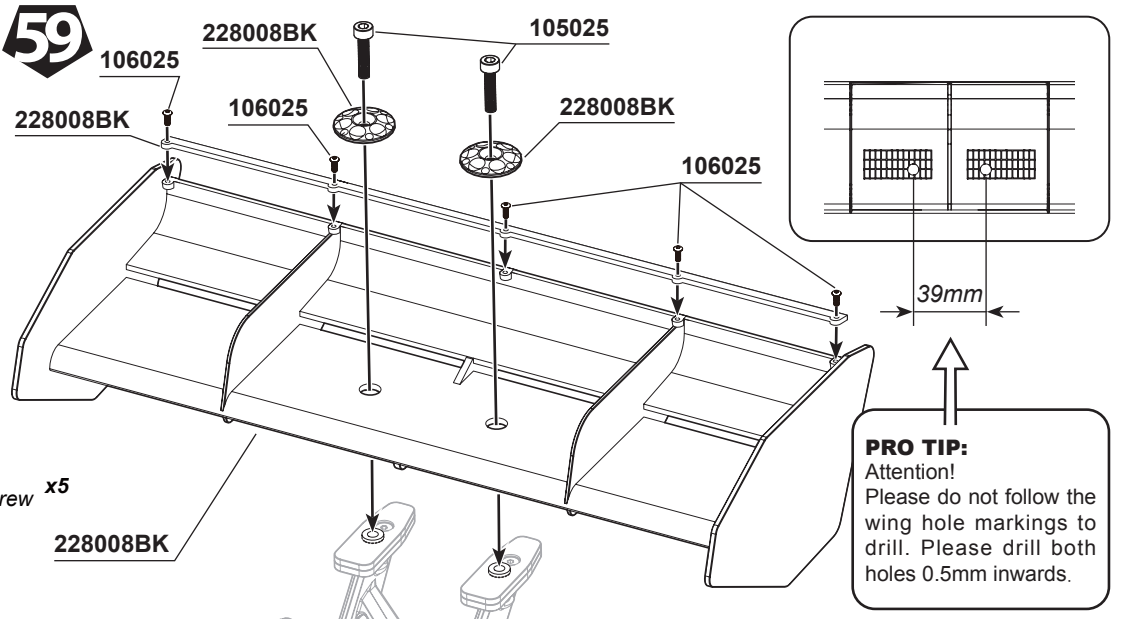
103003A
Flange M3 Nut Lock x1



59

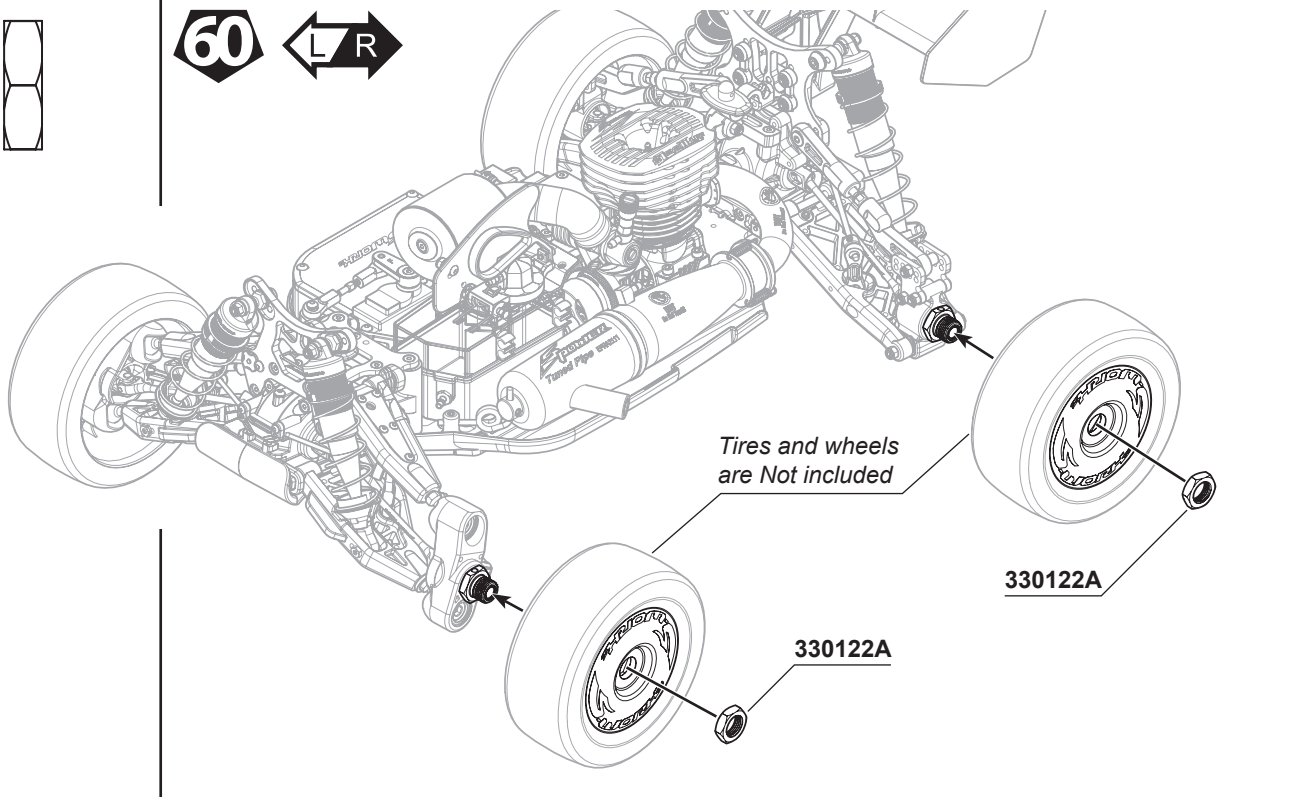
105005
M3x12mm Cap Screw x2

106025
M2.5x8mm Hex Scket OH/TP Screw x5

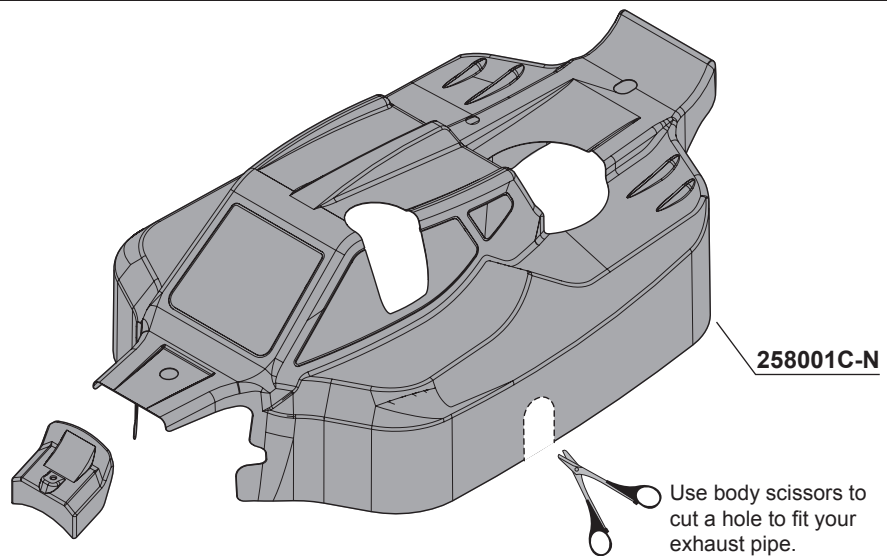


330122A
Wheel Nut x4

60 ← R

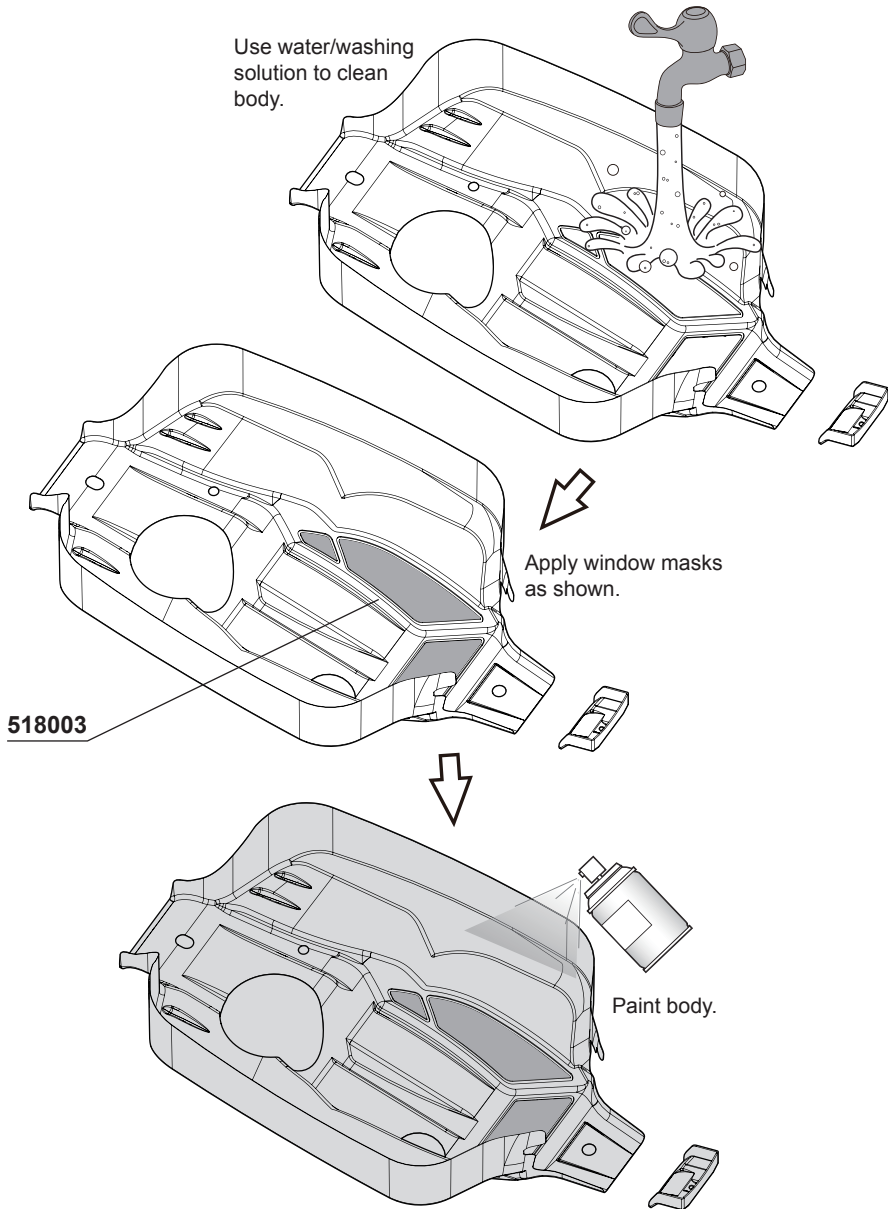


61



62

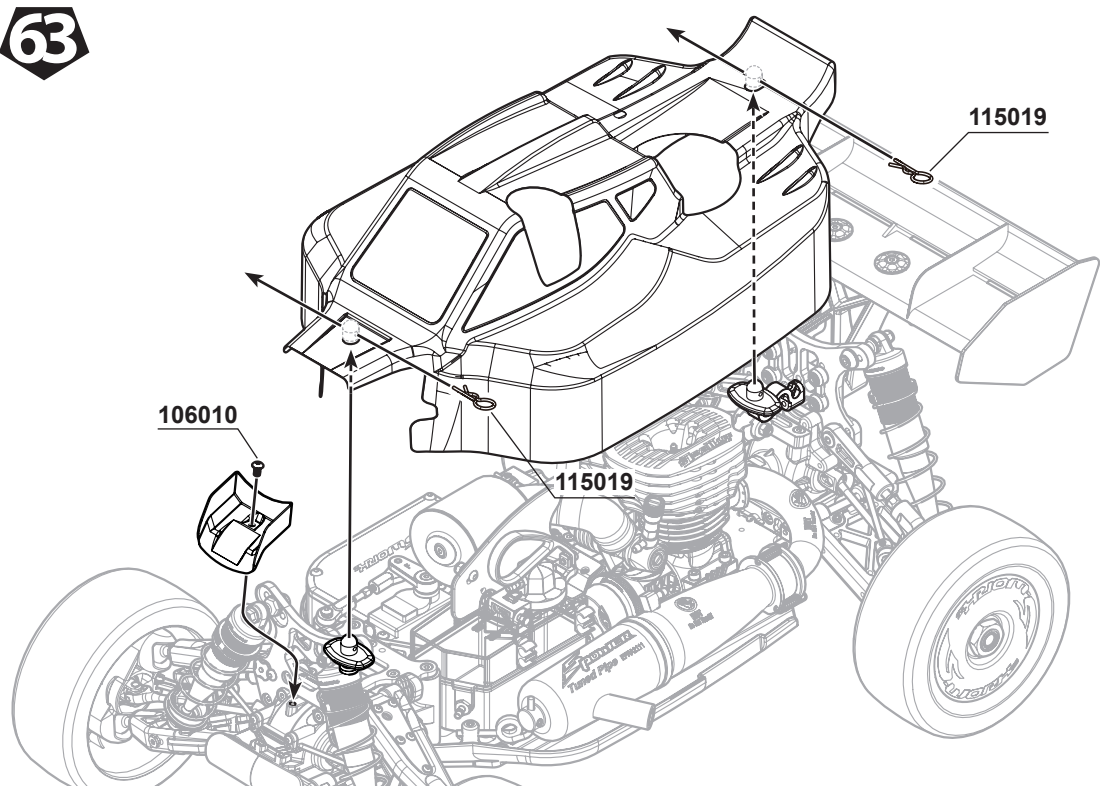
Use water/washing solution to clean body.



63



106010
Button Head Screw M3x6mm x1



Race time / Lap: _____

Best lap: _____

Name: SWORKZ
 Date: _____
 Track: _____

Diff. Oil
 Front: #7000
 Center: #7000
 Rear: #3000

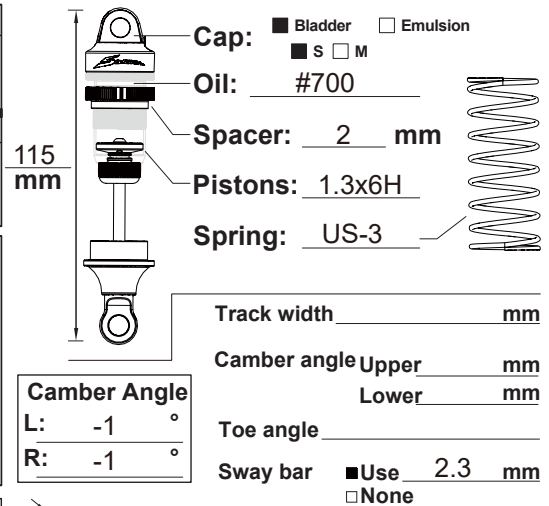
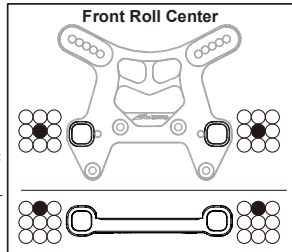
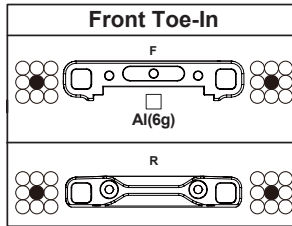
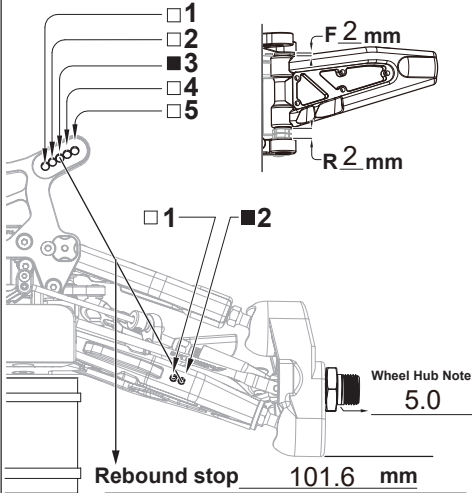
Track Conditions
 Size: Open Med. Tight
 Traction: High Med. Low
 Surface: Smooth Med. Bumpy

Tire
 Front T-Pro Rear T-Pro
 Type: 3313-T4 Type: 3313-T4
 Foam:T-Pro Foam: _____

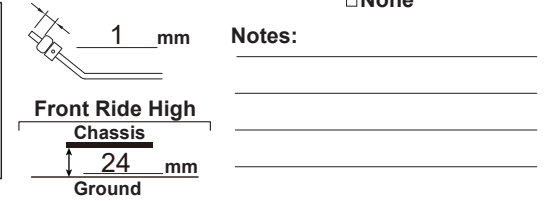
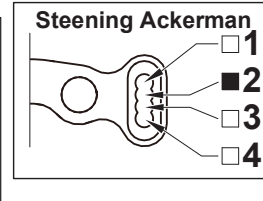
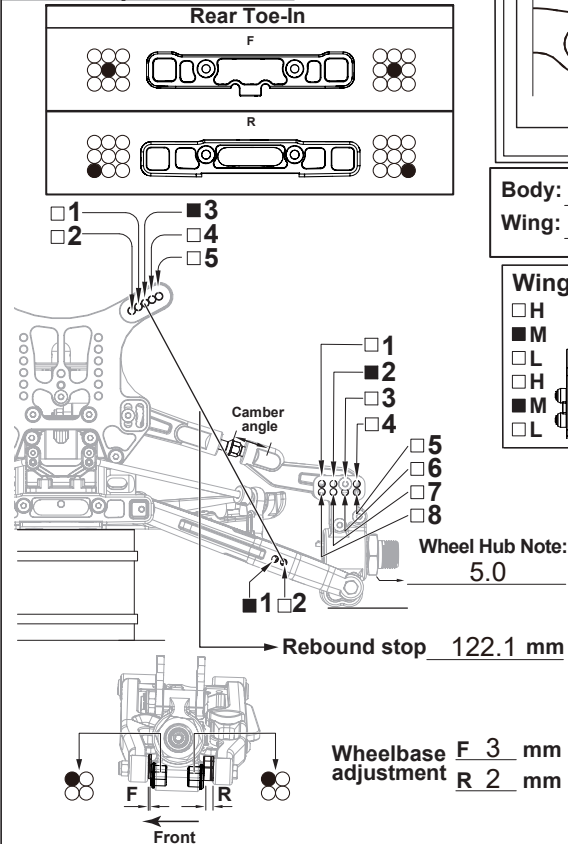
Engine
 Type: S7 EVO II Muffler: EFRA 2042
 Gasket: _____ mm Fuel: T-Pro
 Plug: ST-3

Clutch
 Clutch shoes: SWORKZ
 Spring: 1.0 mm
 Clutch bell / Spur gear: 13/47

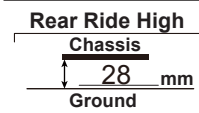
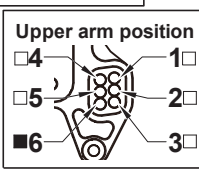
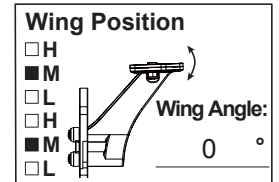
Front Suspension



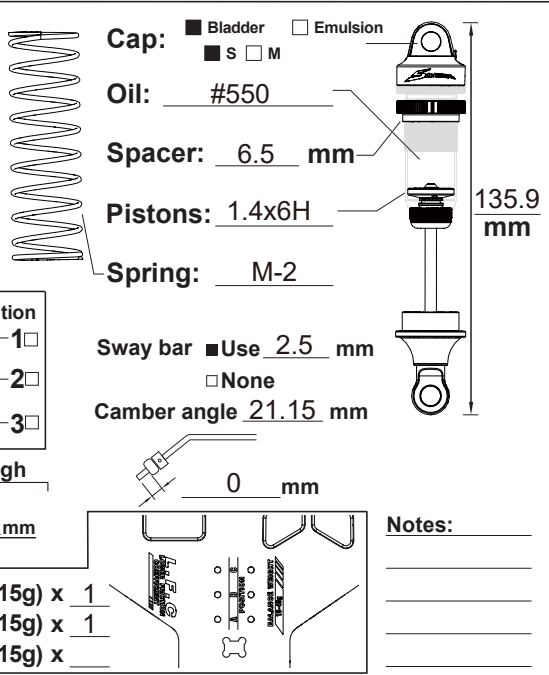
Rear Suspension



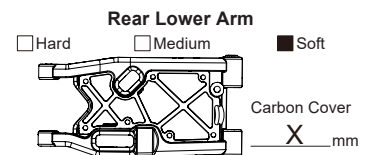
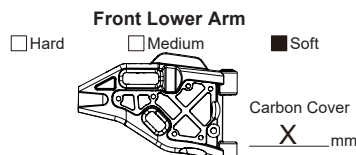
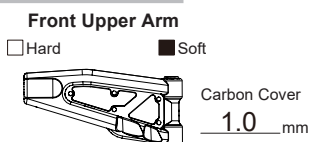
Body: Standard
 Wing: Standard



- A Brass(15g) x 1
 B Brass(15g) x 1
 C Brass(15g) x _____



Option Parts List



Race time / Lap: _____

Best lap: _____

Name: _____
 Date: _____
 Track: _____

Diff. Oil
 Front: _____
 Center: _____
 Rear: _____

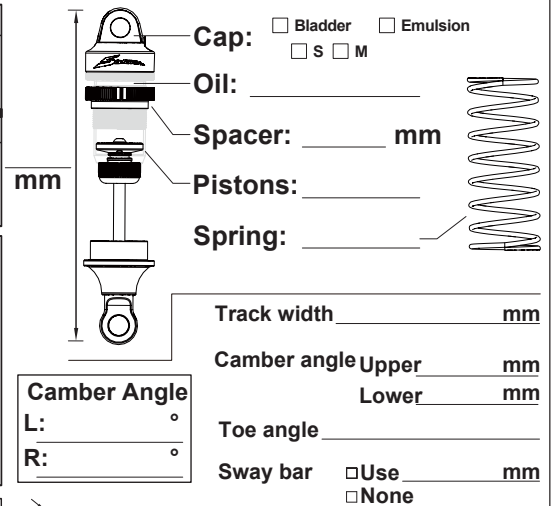
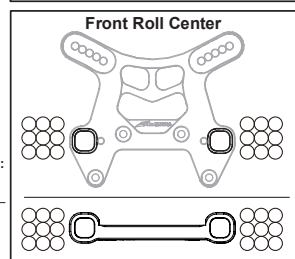
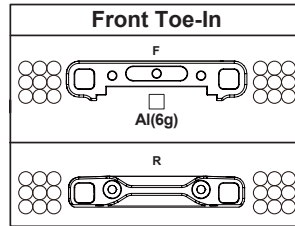
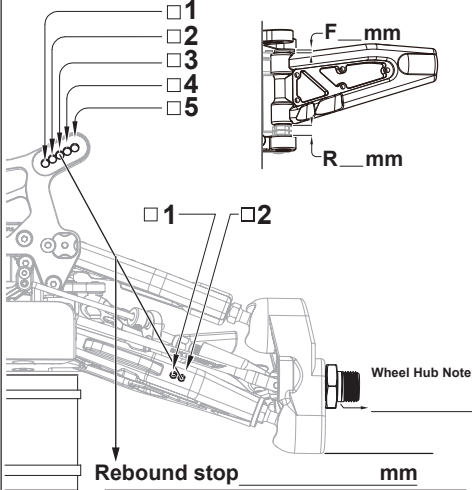
Track Conditions
 Size: Open Med. Tight
 Traction: High Med. Low
 Surface: Smooth Med. Bumpy

Tire
 Front Type: _____
 Front Foam: _____
 Rear Type: _____
 Rear Foam: _____

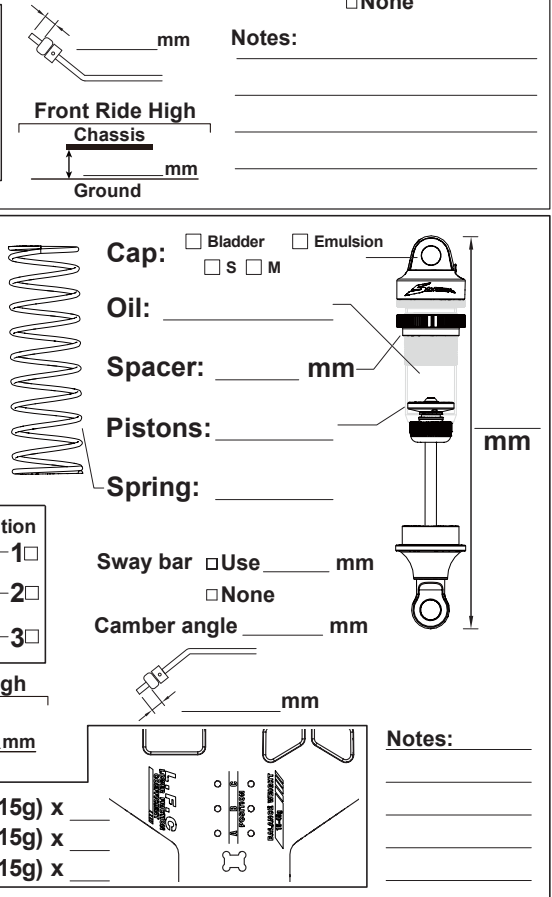
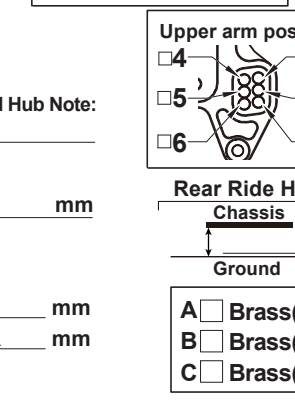
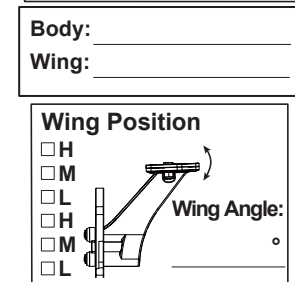
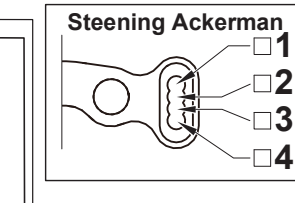
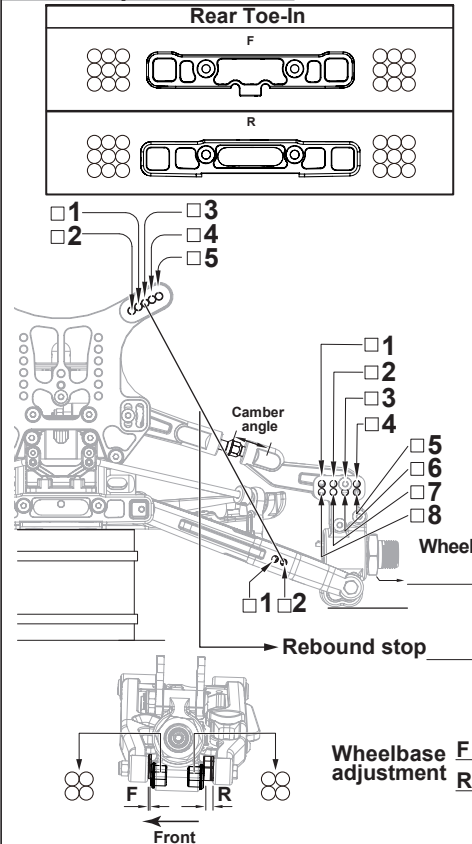
Engine
 Type: _____ Muffler: _____
 Gasket: _____ mm Fuel: _____
 Plug: _____

Clutch
 Clutch shoes: _____
 Spring: _____ mm
 Clutch bell / Spur gear: _____

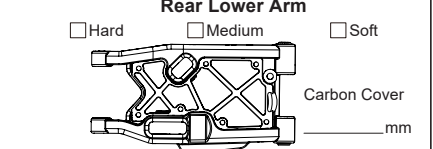
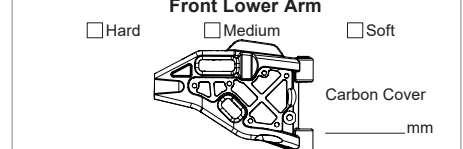
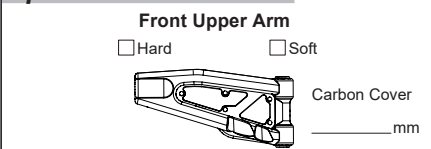
Front Suspension



Rear Suspension



Option Parts List



Parts No. List

Part No.	Part Name	Q'ty in Use	Item No.	Part No.	Part Name	Q'ty in Use	Item No.
210091	S35-3W Plastic Front/Rear Big Bore Diff Case	2	SW-210091	330399B	S35-3 Series Aluminum Rear Chassis Brace Mount (GM)	1	SW-330399B
210079A	S35-4 Plastic Center Big Bore HET Diff Case	1	SW-210079A	330557	S350 New BBS System Shock Seal Cap (GM)	4	SW-330557
210033X	S35/S350 Series Tubed Floating Fuel Filter System Tank Set	1	SW-210033X	330560B	S35 New BBS System Shock Spring Adjust Nut (BK)	4	SW-330560B
2501115	S350 Rear Lower Arm Dusty Cover with Fuel Sprinkle Guard	1	SW-2501115	330562A	S350 New BBS System Shock Piston 1.3mmX6 Holes (BK)	2	SW-330562A
2501124	S350 Center Diff. Mount Set	2	SW-2501124	330563A	S350 New BBS System Shock Piston 1.4mmX6 Holes (BK)	2	SW-330563A
2501529	S350 BX1/BR1Rear Chassis Brace	1	SW-2501529	330580	S350 Competition Series Professional Brake Disc	2	SWC-330580
2501097B	S35 Series Front Bumper	1	SW-2501097B	330647	S350 BBD Special Brake Cam	1	SWC-330647
2501121C	S35/S350 Series Ball End Set with Shock Plastic Parts	2	SW-2501121C	330661A	S35-T/S35 Series Competition Center Drive Join (5mm set screw)	2	SW-330661A
2501122B	S35/S350 Series Setting Bellcrank Set 2.0 Set (with Servo Horn)	1	SW-2501122B	330663A	S35-3 Series Steel R-Center Drive Shaft (115mm)	1	SW-330663A
2501126A	S350/S350T Series Option Air Filter Extension Set	1	SW-2501126A	330767A	S35-3 Series Steel F-Center Dive Shaft (88mm)	1	SW-330767
2502040-02	S350T Body Mount with Fuel Tank Ring-pull	1	SW-2502040-02	330777A	S35-4 Series Steering Linkage Ball Stud 7mm(L7)	4	SW-330777A
2503260-01	S353 Series Plastic Wheel Hub Inserts Set	1	SW-2503260-01	330782	S35-3 Series Rear Hub Carriers Hinge Pin	2	SW-330782
2503260-02	S35-3 Series Plastic Arm Inserts Set	1	SW-2503260-02	338011	S35 Series Pinion Gear Stopper (5x7x5.1mm)	2	SW-338011
2503260-04	S35-3 Series Plastic Knuckle Inserts Set	1	SW-2503260-04	338014	S35-3W T-7075AL Rear Lower Fully Adjustable Toe-In Block (3 degree)	1	SW-338014
2503261A	S35-3/GT Series Gear Box Set (Fit 5x13x4mm Ball Bearing)	2	SW-2503261A	338023	S35-3W Pinion Gear 13T	2	SW-338023
2503262	S35-3 Nitro Buggy Radio Tray Set	1	SW-2503262	338024	S35-3W Crown Gear 43T	2	SW-338024
2503264A	S35-3 Series Front Steering Knuckle (Type 2.0) L	1	SW-2503264A	338025	S35-3W Bevel Gear Shaft	6	SW-338025
2503270-1	S35-3 Series Front Upper Arms	2	SW-2503270-1	338027	S35-3W Front/Rear Diff. Outdrive	4	SW-338027
2503270-2	S35-3 Series Rear Upper Arm Outside Ball Ends	4	SW-2503270-2	338028	S35-3W Center Diff. Outdrive	2	SW-338028
2503270-3	S35-3 Series Front Steering Ball Ends	2	SW-2503270-3	338040	S35-4 Series Center Spur Gear for Big Diff. Bevel Gear Case (47T)	1	SW-338040
228001	S35-4 Series Plastic Inserts Set	2	SW-228001	338043	S35-3/4 Series Servo Saver Nut with Screw Fixed	1	SW-338043
228002-1	S35-4 Series Plastic Rear Wheel Hub (R=L)	2	SW-228002-1	338047	S35-4 Nitro Series T7 Aluminum Lightened Main Chassis	1	SW-338047
228002-2	S35 Series Plastic Front Chassis Shorty Brace	1	SW-228002-2	338048	S35-4 Series Servo Saver Shaft	2	SW-338048
228003S	S35 Series Integrated Wing Mount Set (Soft Material)	1	SW-228003S	338049	S35-4 Series T7 Aluminum Rear Front Lower Suspension Plate (RF)	1	SW-338049
228004	S35-4 Series Plastic Side Guard Set	1	SW-228004	338050	S35-4 Series T7 Aluminum Rear Shock Tower	1	SW-338050
228005S-F	S35-4 Series Front Lower Arm in Soft Material	2	SW-228005S-F	338051	S35-4 Series T7 Aluminum Steering Knuckle Plate (R=L)	2	SW-338051
228005S-R	S35-4 Series Rear Lower Arm in Soft Material	2	SW-228005S-R	338052	S35-4 Series T7 Aluminum Setting Bellcrank Upper Part-A (with 2Hole)	1	SW-338052
228006	S35 Series Shock End/Body Mount/Ball Ends Set	2	SW-228006	338053	S35-4 Series T7 Aluminum Steering Plate	1	SW-338053
228008BK	SWORKz 1/8 Off Road Formula 2.0 Race Wing (BK)	1	SW-228008BK	338054	S35-4 Series T7 Aluminum Front Shock Tower	1	SW-338054
210058	S350 New BBS System Shock Seal Washer 3.6X7X2.5mm	8	SW-210058	338056	S35-4 Series Lower Arm Hinge Pin (68.5mm)	4	SW-338056
210058	S350 New BBS System Shock Seal Washer 3.5X7X1.0mm	4	SW-210058	338057	S35-4 Series T7 Aluminum Front Upper Arm Holder	1	SW-338057
210046	S350 Series LDS Universal Cross Drive Shaft Set 92.5mm (1pc)	4	SW-210046	338058	S35-4 Series T7 Aluminum Front Lower Arm Plate (FF)	1	SW-338058
210043	S350 Professional Matel Brake Calipers 2.0 A Side	2	SW-210043	338059	S35-4 Series T7 Aluminum Front Lower Arm Holder (FR)	1	SW-338059
210043	S350 Professional Matel Brake Calipers 2.0 B Side	2	SW-210043	338060	S35-4 Series BBS System Shock Body (L)	2	SW-338060
210018	Brake Spring	2	SW-210018	338061	S35-4 Series BBS System Shock Body (S)	2	SW-338061
210018	Throttle Rod 50mm	1	SW-210018	338062	S35-4 Series BBS System Teflon Coated Shock Shaft (L)	2	SW-338062
210018	Throttle Rod Spring	1	SW-210018	338063	S35-4 Series BBS System Teflon Coated Shock Shaft (S)	2	SW-338063
210018	Brake Rod 60mm	2	SW-210018	338067	S35-4 Series Emulsion/Bladder 2 Ways System Shock Cap	4	SW-338067
200193	Antenna Tube	1	SW-200193	338068	S35-4 Series T7 Aluminum Shock Stud (L)	2	SW-338068
258001CN	S35 Series Falcon ST-4 Clean Body Shell (Pre-Cut for Nitro Buggy)	1	SW-258001CN	338070	S35 Series Rear Upper Sus. Arm Ball Stud	2	SW-338070
320010	S35-3W Diff. Bevel Gear 10T	12	SW-328001	340003	S35-3 Series Pro-composite Carbon Front Upper Arm Cover Set (1mm)	2	SW-340003
320009	S35-3W Diff. Bevel Gear 20T	6	SW-328001	340016	S35-4 Series Pro-composite Carbon Rear Wheel Hub Adjust Plate (R=L)	4	SW-340016
330006	Tornado Clutch Shoes	3	SW-330006	340017	S35-4 Series Pro-composite Carbon Steering Bellcrank Plate	1	SW-340017
330008A	SWORKz Tornado Fly Wheel Set (GM)	1	SW-330008A	420026	S350/S350T Series Option Air Filter Extension Adapter	1	SW-420026
330008A	Tornado Fly Wheel Center Nut	1	SW-330008A	420011	Fuel Tube	2	SW-420011
330008A	Fly Wheel Collect	1	SW-330008A	420010	Antenna Cup	1	SW-420010
330015	Pin M2.2x9.9mm	6	SW-330015	410038	Super Silicone Tube 2455x30mm (Transparent)	1	SW-410038
330090	S350 Series Carbon Fiber Center Diff. Plate	1	SW-330090	400023	S35 Series BBS System Seal O-Ring for Emulsion Shock Cap	4	SW-400023
330100A	S350 Engine Mount (L) (HC)	1	SW-330100A	400022	S350 New BBS System Shock Bladder (Medium)	4	SW-400022
330100A	S350 Engine Mount (R) (HC)	1	SW-330100A	400020	S350 New BBS System Shock Seal O-Ring	4	SW-400020
330104	Brake Cam (S)	1	SW-330104	400019	S350 New BBS System Shock Spring Adjust Nut O-Ring	4	SW-400019
330104	Brake Cam (L)	1	SW-330104	400010	Shock Boot (S)	2	SW-400010
330104	Brake Cam	1	SW-330104	400009	Shock Boot (L)	2	SW-400009
330114A	S350 Sseries Servo Saver Post (HC)	1	SW-330114A	400006	Shock Seal O-Ring	8	SW-210058
330117A	S350 Series Knuckle Pivot Ball Washer(GM)	2	SW-330117A	400005	Shock Spring Adjust Nut O-Ring	4	SW-400005
330118A	S350 Series Knuckle Pivot Ball Nut(GM)	4	SW-330118A	400002	O-ring S5 4.8X1.5	6	SW-400002
330119	Front Upper Arm HingPin	2	SW-330119	540003	CABLE STRAPS FOR AIRFILTER	2	SW-540003
330121B	S350 Wheel Hub(L4.5mm)(HC)	4	SW-330121B	518003	S35 Series Falcon ST-4 Clean Body Shell Window Mask	1	SW-258001CN
330122A	S350 Wheel Nut (HC)	4	SW-330122A	518001	S35-4 Body Decal Sheet	1	SW-258001CN
330123A	S350 EVO Rear Upper Sus. Arm Turnbuckles M5x38mm	2	SW-330123A	510080A	SWORKz 1/8 Off Road Formula Race Wing Decal	1	SW-228008BK
330124	Pin M3.0x16.8mm	4	SW-330124	510091	SWORKz Original Logo Sticker	1	SW-510091
330125	Rear Upper Sus. Arm Ball Stud	4	SW-330125	610023	S35-3W Diff. Gasket (0.4T)	2	SW-610023
330126A	S350 EVO Steering Turnbuckle M4x40mm	2	SW-330126A	610020	S35-3 Series Center Big Bore Plastic Diff. Case Gasket	1	SW-610020
330134	Shock Ball Stud	12	SW-330134	610019	S35-3 Series Servo Saver Spring Dusty Protect Sponge	1	SW-610019
330136	Sway Bar Ball Stud	4	SW-330136	610004	Air Filter Outer Foam	1	SW-610004
330137	Clutch Bell 13T	1	SW-330137	610004	Air Filter Foam	1	SW-610004
330138B	S350 EVO Aluminum Shock Cap Stud (-1.3mm)	4	SW-330138B	115003A	SWORKz Tornado Clutch Spring II (1.0mm)	3	SW-115003A
330140A	Pipe Holder(GM)	1	SW-330140A	115004A	Servo Saver Spring	1	SW-115004A
330140A	Pipe Spring	1	SW-330140A	115005	Rear Sway Bar 2.8mm	1	SW-115005
330155	Steering Servo Turnbuckle (M3x30mm)	2	SW-330155	115006	Rear Sway Bar 2.6mm	1	SW-115006
330156A	Adjuster Knob(GM)	4	SW-330156A	115008A	Front Sway Bar 2.3mm	1	SW-115008A
330157A	Brake Adjuster Knob(GM)	2	SW-330157A	115011A	S35-GT Series Pipe Spring (L)	1	SW-115011A
330243	SWORKz 3x16mm Shock Hex Screw Clockwise	2	SW-330243	115019	Body Clip	2	SW-115019
330244	SWORKz 3x16mm Shock Hex Screw Anti-Clockwise	2	SW-330243	115035A	Front Sway Bar 2.2mm	1	SW-115035A
330252	S350 BX1/BR1 Steering Knuckle Pivot Ball Turnbuckle	4	SW-330252	115098	Brake Pad Spring	4	SW-115098

Parts No. List

Part No.	Part Name	Qty in Use	Item No.
115164	S35 Series Competition Black Line Front Shock Spring (3 Dot)(75X1.6X9.0)	2	SWC-115164
115183	S35-4 Black Competition Front Shock Spring (US3-Dot)(62X1.6X7.75)	2	SWC-115183
116004	Ball Bearing 6x10x3mm	4	SW-116004
116006	Ball Bearing 8x16x5mm	14	SW-116006
116009	Ball Bearing M5x8x2.5 ZZ (4PC)	2	SW-116009
116010	Ball Bearing 5x10x4mm	2	SW-116010
116019	Ball Bearing 5x13x4mm	4	SW-116019
117003	Flange Ball Bearing 3x6x2.5mm	4	SW-117003
101004	Washer 3.5X10X0.2mm	12	SW-101004
101010A	M3 Countersunk Washer(GM)	4	SW-101010A
101011	M2.6x6xT0.6mm	4	SW-101011
101013	3mm Spring Washer	4	SW-101013
101015	M5x8xT0.4mm	4	SW-101015
101016	M5x8xT0.8mm	1	SW-101016
101018	SHIM 13x16x0.2mm	12	SW-101018
101019	SHIM 6.0x10.0x0.2mm	1	SW-101019
101020A	S350 Sries 3mm Countersunk Washers (GM)	2	SW-101020A
101021	M3x8xT0.8mm	3	SW-101021
101039	Steel Washer 5x12x0.3mm	6	SW-101039
103001	M3 Nut Lock	25	SW-103001
103003A	Flange M3 Nut Lock (GM)	5	SW-103003A
103004	M2.5mm Nut Lock	4	SW-103004
104004	M3x3mm Set Screw	13	SW-104004
104005	M3x4mm Set Screw	4	SW-104005
104010	M5x4mm Set Screw (Flat Bottom)	6	SW-104010
104011	M4x4mm Set Screw (Flat Bottom)	1	SW-104011
105001	M3x8mm Cap Screw	1	SW-105001
105005	M3x12mm Cap Screw	6	SW-105005
105018	M2x6mm Cap Head Screw	1	SW-105018
105013A	M3x25mm Cap Screw	4	SW-105013A
105007A	M4x8mm I-Head Screw Thin	4	SW-105007A
105006A	M3x28mm Cap Screw full thread	2	SW-105006A
106001	M3x8mm Hex Soket OH/TP Screw	3	SW-106001
106002	M3x10mm Hex Soket OH/TP Screw	14	SW-106002
106003	M3x16mm Hex Soket OH/TP Screw	8	SW-106003
106006	M3x20mm Hex Soket OH/TP Screw	5	SW-106006
106007	M3x12mm Hex Soket OH/TP Screw(HT)	9	SW-106007
106008	M3x12mm Hex Soket OH/TP Screw	6	SW-106008
106009	M3x25mm Hex Soket OH/TP Screw	10	SW-106009
106013	M2.5x8mm 1.5mmHex Soket OH/ST Screw	6	SW-106013
106015	M3x5mm Hex Soket OH/TP Screw	2	SW-106015
106020	M2.5x5mm 1.5mmHex Soket OH/ST Screw	14	SW-106020
106025	M2.5x8mm Hex Soket OH/TP Screw	5	SW-106025
106021A	S35 Series M4x10mm Hex Soket OH/TP Set Screw	4	SW-106021A
108001	M3x12mm FH/ST HEX Screw	20	SW-108001
108003	M3x10mm FH/ST HEX Screw	23	SW-108003
108005	M3x14mm FH/ST HEX Screw	2	SW-108005
108006	M3x8mm FH/ST HEX Screw	23	SW-108006
108007	M3x6mm FH/ST HEX Screw	12	SW-108007
108008	M3x35mm FH/ST HEX Screw	4	SW-108008
108010	M4x10mm FH/ST HEX Screw	6	SW-108010
108012	M4x16mm FH/ST HEX Screw	8	SW-108012
108013	M4x8mm FH/ST HEX Screw	1	SW-108013
108019	M2.6x6mm FH/ST HEX Screw	2	SW-108019
108029	M2.0x4.6mm FH/ST HEX Screw (1.5mm HexHead)	4	SW-108029

Spare Part List

Item No.	Part Name
SW-228001	S35-4 Series Plastic Inserts Set (2Set)
SW-228002-1	S35-4 Series Plastic Rear Wheel Hub (R=L)(2PC)
SW-228002-2	S35 Series Plastic Front Chassis Shorty Brace (1PC)
SW-228003S	S35 Series Integrated Wing Mount Set (Soft Material)
SW-228004	S35-4 Series Plastic Side Guard Set
SW-228005S-F	S35-4 Series Front Lower Arm in Soft Material (1PC)
SW-228005S-R	S35-4 Series Rear Lower Arm in Soft Material (1PC)
SW-228006	S35 Series Shock End/Body Mount/Ball Ends Set (2Set)
SW-228008BK	SWORKz 1/8 Off Road Formula 2.0 Race Wing (BK)
SW-2501097B	S35 Series Front Bumper (2PC)
SW-2501115	S350 Rear Lower Arm Dusty Cover with Fuel Sprinkle Guard
SW-2501121C	S35/S350 Series Ball End Set with Shock Plastic Parts
SW-2501122B	S35/S350 Series Settring Bellcrank Set 2.0 Set (with Servo Horn)
SW-2501124	S350 Center Diff. Mount Set (2 Set)
SW-2501126A	S350/S350T Series Option Air Filter Extension Set
SW-2501529	S350 BX1/BR1Rear Chassis Brace
SW-2502040-02	S350T Body Mount with Fuel Tank Ring-pull
SW-2503260-01	S353 Series Plastic Wheel Hub Inserts Set
SW-2503260-02	S35-3 Series Plastic Air Inserts Set
SW-2503260-04	S35-3 Series Plastic Knuckle Inserts Set
SW-2503261A	S35-3/GT Series Gear Box Set (Fit 5x13x4mm Ball Bearing)
SW-2503262	S35-3 Nitro Buggy Radio Tray Set
SW-2503264A	S35-3 Series Front Steering Knuckle (Type 2.0)
SW-2503270-01	S35-3 Series Front Upper Arms (2pc)
SW-2503270-02	S35-3 Series Rear Upper Arm Outside Ball Ends (2pc)
SW-2503270-03	S35-3 Series Front Steering Ball Ends (4pc)
SW-200193	Antenna Tube
SW-210018	Throttl Linkage Set
SW-210033X	S35/350 Series Tubed Floating Fuel Filter System Tank Set
SW-210043	S350 Professional Matel Brake Calipers 2.0 Set
SW-210046	S350 Series LDS Universal Cross Drive Shaft Set 92.5mm (1pc)
SW-210058	S350 series BBS Shock Seal Kit
SW-210079A	S35-4 Plastic Center Big Bore HET Diff Case
SW-210091	S35-3W Plastic Front/Rear Big Bore Diff Case
SW-258001CN	S35 Series Falcon ST-4 Clean Body Shell (Pre-Cut for Nitro Buggy)
SW-328001	S35-3/4 Series HET Diff. Bevel Gear Set
SW-330006	Tornado Clutch Shoes
SW-330008A	SWORKz Tornado Fly Wheel Set (GM)
SW-330015	Pin M2.2x9.9mm
SW-330090	S350 Series Carbon Fiber Center Diff. Plate
SW-330100A	S350 Sseries Engine Mount Set (HC)
SW-330104	Brake Cam Set
SW-330114A	S350 Sseries Servo Saver Post (HC)
SW-330117A	S350 Series Knuckle Pivot Ball Washer(GM)
SW-330118A	S350 Series Knuckle Pivot Ball Nut(GM)
SW-330119	Front Upper Arm HingPin
SW-330121B	S350 Wheel Hub(L4.5mm)(HC)
SW-330122A	S350 Wheel Nut (HC)
SW-330123A	S350 EVO Rear Upper Sus. Arm Turnbuckles M5x38mm
SW-330124	Pin M3.0x16.8mm
SW-330125	Rear Upper Sus. Arm Ball Stud
SW-330126A	S350 EVO Steering Turnbuckle M4x40mm
SW-330134	Shock Ball Stud 6mmxL6.7
SW-330136	Sway Bar Ball Stud
SW-330137	Clutch Bell 13T
SW-330138B	S350 Series Aluminum Shock Cap Stud (-1.3mm)(2PC)
SW-330140A	S350 SeriesPipe Holder(GM)
SW-330155	Steering Servo Turnbuckle (M3x30mm)
SW-330156A	S350 Series Adjuster Knob (Included Brake Adjuster Knob)(GM)
SW-330157A	Brake Adjuster Knob(GM)
SW-330243	SWORKz 3x18mm Shock Hex Screw Set (Anti-Clockwise)
SW-330252	S350 BX1/BR1 Steering Knuckle Pivot Ball Turnbuckle
SW-330399B	S35-3 Series Aluminum Rear Chassis Brace Mount (GM)
SW-330557	S350 New BBS System Shock Seal Cap (GM)
SW-330560B	S35 New BBS System Shock Spring Adjust Nut (BK)
SW-330562A	S35 Series BBS System Shock Piston 1.3mmX6 Holes (BK)(2PC)
SW-330563A	S35 Series BBS System Shock Piston 1.4mmX6 Holes (BK)(2PC)
SW-330661A	S35-T/S35 Series Competition Center Drive Join (5mm set screw)
SW-330663A	S35-3 Series Steel R-Center Drive Shaft (115mm)
SW-330767A	S35-3 Series Steel F-Center Dive Shaft (88mm)
SW-330777A	S35-4 Series Steering Linkage Ball Stud 7mm(L7)(4PC)
SW-330782	S35-3 Series Rear Hub Carriers Hinge Pin
SW-338011	S35-3 series Pinion Gear Stopper (5x7x5.1mm)(4PC)
SW-338014	S35-3W T-7075AL Rear Lower Fully Adjustable Toe-In Block (3 degree)
SW-338023	S35-3W Pinion Gear 13T

Spare Part List

Item No.	Part Name	Item No.	Part Name
SW-338024	S35-3W Crown Gear 43T	SW-106007	M3x12mm Hex Soket OH/TP Screw (HT)
SW-338025	S35-4 HET Bevel Gear Shaft (2pc)	SW-106008	M3x12mm Hex Soket OH/TP Screw
SW-338027	S35-4 Front/Rear HET Diff. Outdrive (2pc)	SW-106009	M3x25mm Hex Soket OH/TP Screw
SW-338028	S35-4 Center HET Diff. Outdrive (2pc)	SW-106013	M2.5x8mm 1.5mmHex Soket OH/ST Screw
SW-338040	S35-4 Series Center Spur Gear for Big Diff. Bevel Gear Case (47T)	SW-106015	M3x5mm Hex Soket OH/TP Screw
SW-338043	S35-3/4 Series Servo Saver Nut with Screw Fixed	SW-106020	M2.5x5mm 1.5mmHex Soket OH/ST Screw
SW-338047	S35-4 Nitro Series T7 Aluminum Lightened Main Chassis	SW-106021A	S35 Series M4x10mm Hex Soket OH/TP Set Screw
SW-338048	S35-4 Series Servo Saver Shaft(2PC)	SW-108001	M3x12mm FH/ST HEX Screw
SW-338049	S35-4 Series T7 Aluminum Rear Front Lower Suspension Plate (RF)	SW-108003	M3x10mm FH/ST HEX Screw
SW-338050	S35-4 Series T7 Aluminum Rear Shock Tower	SW-108005	M3x14mm FH/ST HEX Screw
SW-338051	S35-4 Series T7 Aluminum Steering Knuckle Plate (R=L)	SW-108006	M3x8mm FH/ST HEX Screw
SW-338052	S35-4 Series T7 Aluminum Setting Bellcrank Upper Part-A (with 2Hole)	SW-108007	M3x6mm FH/ST HEX Screw
SW-338053	S35-4 Series T7 Aluminum Steering Plate	SW-108008	M3x35mm FH/ST HEX Screw
SW-338054	S35-4 Series T7 Aluminum Front Shock Tower	SW-108010	M4x10mm FH/ST HEX Screw
SW-338056	S35-4 Series Lower Arm Hinge Pin (68.5mm)(2pc)	SW-108012	M4x16mm FH/ST HEX Screw
SW-338057	S35-4 Series T7 Aluminum Front Upper Arm Holder	SW-108013	M4x8mm FH/ST HEX Screw
SW-338058	S35-4 Series T7 Aluminum Front Lower Arm Plate (FF)	SW-108019	M2.6x6mm FH/ST HEX Screw
SW-338059	S35-4 Series T7 Aluminum Front Lower Arm Holder (FR)	SW-108029	M2.0x4.6mm FH/ST HEX Screw (1.5mm HexHead)
SW-338060	S35-4 Series BBS System Shock Body (L)(2PC)	SW-115003A	SWORKz Tornado Clutch Spring II (1.0mm)
SW-338061	S35-4 Series BBS System Shock Body (S)(2PC)	SW-115004A	Servo Saver Spring
SW-338062	S35-4 Series BBS System Tiefron Coated Shock Shaft (L)(2PC)	SW-115005	Rear Sway Bar 2.8mm
SW-338063	S35-4 Series BBS System Tiefron Coated Shock Shaft (S)(2PC)	SW-115006	Rear Sway Bar 2.6mm
SW-338067	S35-4 Series Emulsion/Bladder 2 Ways Syatem Shock Cap (2PC)	SW-115008A	Front Sway Bar 2.3mm
SW-338068	S35-4 Series T7 Aluminum Shock Stud (L)(2PC)	SW-115011A	S35-GT Series Pipe Spring (+10mm Longer)
SW-338070	S35 Series Rear Upper Sus. Arm Ball Stud(2PC)	SW-115019	Body Clip
SW-340003	S35-3 Series Pro-composite Carbon Front Upper Arm Cover Set (1mm)	SW-115035A	S35/350 Series Front Sway Bar 2.2mm
SW-340016	S35-4 Series Pro-composite Carbon Rear Wheel Hub Adjust Plate (R=L)(2PC)	SW-115098	Brake Pad Spring
SW-340017	S35-4 Series Pro-composite Carbon Steering Bellcrank Plate	SWC-115164	S35 Series Black Competition Front Shock Spring (M3-Dot)(75X1.6X9.0)
SWC-330580	S350 Competition Series Professional Brake Disc	SWC-115183	S35-4 Black Competition Front Shock Spring (US3-Dot)(62X1.6X7.75)
SWC-330647	S350 BBD Special Brake Cam	SW-116004	Ball Bearing 6x10x3mm (4pc)
SW-400002	O-ring S5 4.8X1.5	SW-116006	Ball Bearing 8x16x5mm (10pc)
SW-400005	Shock Spring Adjust Nut O-Ring	SW-116009	Ball Bearing M5x8x2.5 ZZ (4PC)
SW-400009	Shock Boot (L)	SW-116010	Ball Bearing 5x10x4mm(4pc)
SW-400010	Shock Boot (S)	SW-116019	Ball Bearing 5x13x4mm (4PC)
SW-400019	S350 New BBS System Shock Spring Adjust Nut O-Ring (4pc)	SW-117003	Flange Ball Bearing 3x6x2.5mm(2pc)
SW-400020	S350 New BBS System Shock Seal O-Ring (4pc)		
SW-400023	S35-4 Series BBS System Seal O-Ring for Emulsion Shock Cap (4PC)		
SW-40022	S350 New BBS System Shock Bladder (Medium)		
SW-410038	Super Silicone Tube 2455x30mm (Transparent)		
SW-420010	Antenna Cup		
SW-420026	S350/S350T Series Option Air Filter Extension Adapter		
SW-510091	SWORKz Original Logo Sticker (2PC)		
SW-540003	SWORKz Cable Straps for 1/8 Buggy Airfilter (10PC)		
SW-610004	Air Filter Foam Set		
SW-610019	S35-3 Series Servo Saver Spring Dusty Protect Sponge (2pc)		
SW-610020	S35-3 Series Center Big Bore Plastic Diff. Case Gasket (3pc)		
SW-610023	S35-4 HET Diff. Gasket (0.4T)(4pc)		
SW-101004	Washer 3.5X10X0.2mm		
SW-101010A	M3 Countersunk Washer(GM)		
SW-101011	M2.6x6xT0.6mm		
SW-101013	3mm Spring Washer		
SW-101015	M5x8xT0.4mm		
SW-101016	M5x8xT0.8mm		
SW-101018	SHIM 13x16x0.2mm		
SW-101019	SHIM 6.0x10.0x0.2mm		
SW-101020A	S350 Sries 3mm Countersunk Washers (GM)		
SW-101021	M3x8xT0.8mm		
SW-101039	SWORKz HET Diff Steel Washer 5x12x0.3mm(10PC)		
SW-103001	M3 Nut Lock		
SW-103003A	Flange M3 Nut Lock (GM)		
SW-103004	M2.5mm Nut Lock		
SW-104004	M3x3mm Set Screw		
SW-104005	M3x4mm Set Screw		
SW-104010	M5x4mm Set Screw (Flat Bottom)		
SW-104011	M4x4mm Set Screw (Flat Bottom)		
SW-105001	M3x8mm Cap Screw		
SW-105005	M3x12mm Cap Screw		
SW-105006A	M3x28mm Cap Screw full thread		
SW-105007A	M4x8mm I-Head Screw Thin		
SW-105013A	M3x25mm Cap Screw		
SW-105018	M2x6mm Cap Head Screw		
SW-106001	M3x8mm Hex Soket OH/TP Screw		
SW-106002	M3x10mm Hex Soket OH/TP Screw		
SW-106003	M3x16mm Hex Soket OH/TP Screw		
SW-106006	M3x20mm Hex Soket OH/TP Screw		

Option Part List

Item No.	Part Name	Item No.	Part Name
SW-115026A	SWORKz Tornado Clutch Spring II (1.1mm)(GR)	SW-115007	S35/S350 Series Rear Sway Bar 3.0mm
SW-115027A	SWORKz Tornado Clutch Spring II (1.2mm)(GD)	SW-218001	S35/350 Series Front Sway Bar Set (2.0/2.1/2.2/2.3/2.4/2.5/2.6/2.8mm)
SW-115077A	SWORKz Tornado Clutch Spring II (0.9mm)(BK)	SW-218002	S35/350 Series Rear Sway Bar Set (2.4/2.5/2.6/2.7/2.8/3.0mm)
SW-116006A	High Performance Rubber Cover Ball Bearing 8x16x5mm (10pc)	SWC-210082	SWORKz S35-3 Competition Ball Bearing Kit (Metal Case)(Set)(20PC)
SW-116010B	High Performance Ball Bearing 5x10x4mm(coffee)(4pc)	SWC-210088	S35-3 Nitro Series Pro-composite Carbon One Unit Radio Tray Set
SW-116019C	SWORKz High Performance 5x13x4mm Ball Bearing (Rubber Case)(4PC)	SWC-210082A	SWORKz S35/GT Competition Ball Bearing Kit (Metal Case)(20PC)
SW-250050	SWORKz 1/8 Off Road Formula Bulkhead Wing (4PC)/ Front Upper Arm's Wing Set (4PC)	SWC-340007	S35-3 Series Pro-composite Carbon Front Upper Done Force Wing Set
SW-220014FY	SWORKz 1/8 Off Road Speed Wing (FY)	SWC-330115A	S350 Series Competition Titanium Steering Knuckle Pivot Ball Turnbuckle
SW-220014WH	SWORKz 1/8 Off Road Speed Wing (WH)	SWC-338006	SWORKz Tornado Hi-Performance Lightened Clutch Bell (13T)
SW-250041	S350 Falcon II Clean Body Shell	SWC-338020	SWORKz Tornado Hi-Performance Lightened Clutch Bell (14T)
SW-228003H	S35 Series Integrated Wing Mount Set (Hard Material)	SWC-338015	S35-3 T-7075AL Rear Hub Carry for Wide Suspension (R=L)(1pc)
SW-220018BK	SWORKz 1/8 Off Road Formula Race Wing with brand sticker (BK)	SW-338036	SWORKz 1/8 Nitro Series Pipe Spring Lock (1 set)
SW-220018WH	SWORKz 1/8 Off Road Formula Race Wing with brand sticker (WH)	SW-338039	S35-3/4 Series Center HET Spur Gear (46T)
SW-220018FY	SWORKz 1/8 Off Road Formula Race Wing with brand sticker (FY)	SW-338041	S35-3/4 Series Center HET Spur Gear (48T)
SW-2501116	S-WORKz High Done Force Wing Set (BK)(Fit S350)	SW-338075	S35-4 Series T7 Aluminum Rear Wheel Hub (R=L)(2PC)
SW-2501116A	S-WORKz High Done Force Wing Set (BK)	SWC-115163	S35 Series Black Competition Front Shock Spring (M4-Dot)(75X1.6X8.75)
SW-2501116AFY	S-WORKz High Done Force Wing Set (FY)	SWC-115165	S35 Series Black Competition Front Shock Spring (M2-Dot)(75X1.6X9.25)
SW-2501116AWH	S-WORKz High Done Force Wing Set (WH)	SWC-115182	S35-4 Black Competition Front Shock Spring (US4-Dot)(62X1.6X7.5)
SW-2501114-4	S35-3/S350 Nitro Series Center Brake Disk Holder	SWC-115184	S35-4 Black Competition Front Shock Spring (US2-Dot)(62X1.6X8.0)
SW-2501126	Air Filter Set		
SW-2501529H	S35/S350 Series Hard Plastic Chassis Brace Set		
SW-2503260FO	S353 Series Colorful Plastic Inserts Set (FO)		
SW-2503260FY	S353 Series Colorful Plastic Inserts Set (FY)		
SW-2503260LB	S353 Series Colorful Plastic Inserts Set (SB)(2 SET)		
SW-2503270-01H	S35-3 Series Front Upper Arms with Hard Material (2pc)		
SW-210079AH	S35-4 Plastic Center Big Bore HET Diff Case (Hard)		
SW-210091H	S35-4 Plastic Front/Rear Big Bore HET Diff Case (Hard)		
SW-218005	S35-3/4 Series HET Center Big Bore Diff. Set (47T)		
SW-218006	S35-4 Series HET Front/Rear Big Bore Diff. Set (43T)		
SW-218008	S35-3 Series HET Diff. Combo Kit		
SW-228005M-F	S35-4 Series Front Lower Arm in Medium Material (1PC)		
SW-228005M-R	S35-4 Series Rear Lower Arm in Medium Material (1PC)		
SW-228005H-F	S35-4 Series Front Lower Arm in Hard Material (1PC)		
SW-228005H-R	S35-4 Series Rear Lower Arm in Hard Material (1PC)		
SW-228008WH	SWORKz 1/8 Off Road Formula 2.0 Race Wing (WH)		
SW-228008FY	SWORKz 1/8 Off Road Formula 2.0 Race Wing (FY)		
SW-300049	SWORKz S35-3/S350 Series Rear Stainless Chassis End Protection (2PC)		
SW-330006A	Tornado Clutch Shoes (2set)		
SW-330115	Steering Knuckle Pivot Ball Turnbuckle		
SW-330116	14mm Knuckle Pivot Ball		
SW-330125A	S350 Series Aluminum Rear Upper Sus. Arm Ball Stud (4pc)		
SW-330134A	S350 Series Aluminum Shock Ball Stud (4pc)		
SW-330136A	S350 Series Aluminum Sway Bar Ball Stud (4pc)		
SW-330168A	S35-3 Series Rear Chassis Blance wight 15g (2pc)		
SW-330202	S-WORKz Turbo Tornado Fly Wheel Set		
SW-330398A	SWORKz S350 Series Pro Wheel Nut (GM)		
SW-330420	S350 Series Knuckle Pivot Ball Balance Nut (5.5g) (2pc)		
SW-330424	S350 Series Aluminum Wing Holder (RED)		
SW-330424B	S350 Series Aluminum Wing Holder (BK)		
SW-330424G	S350 Series Aluminum Wing Holder (GM)		
SW-330505A	S35 Series Lightened Wheel Hub for 8mm Axil (L6.5mm)		
SW-330506A	S35 Series Lightened Wheel Hub for 8mm Axil (L5.0mm)		
SW-330564A	S35 Series BBS System Shock Piston 1.5mmX6 Holes (BK)		
SW-330565	S350 BBS System Shock Piston 1.3mmX8 Oblique Holes (2pc)		
SW-330566	S350 BBS System Shock Piston 1.2mmX8 Oblique Holes (2pc)		
SW-330568	S350 Buggy Series Aluminum Center Diff. Mount		
SW-330663	S35-3 Series Aluminum R-Center Drive Shaft (115mm)		
SW-330767	S35-3 Series T-7075 Aluminum F-Center Dive Shaft (88mm)		
SW-330777B	S35-4 Series Aluminum Steering Linkage Ball Stud 7mm (L7) (4PC)		
SW-338070A	S35 Series Rear Upper Arm Aluminum Ball Stud (2PC)		
SW-338078-25	SWORKz Uni-Design 2-Way System Aluminum Steering Servo Horn 25T		
SW-338078-23	SWORKz Uni-Design 2-Way System Aluminum Steering Servo Horn 23T		
SW-338079-25	SWORKz Uni-Design Aluminum Throttle Servo Horn 25T		
SW-338079-23	SWORKz Uni-Design Aluminum Throttle Servo Horn 23T		
SW-340003A	S35-3 Series Pro-composite Carbon Front Upper Arm Cover (1.5mm)(2PC)		
SW-400021	S350 New BBS System Shock Bladder (Soft)(4pc)		
SW-410023	Air Filter Adapter		
SWC-115107	S350 Competition Shock Spring A-2 (75X1.4X7.25)(Red)		
SWC-115109	S350 Competition Shock Spring B-2 (90X1.4X8.5)(Pink)		
SWC-115110	S350 Competition Shock Spring C-1 (75X1.5X7.75)(SkyBlue)		
SWC-115118	S350 Competition Shock Spring E-3 (90X1.5X8.5)(Blue)		
SWC-116006C	SWORKz Competition 8x16x5mm Ball Bearing (Metal Case) (6PC)		
SWC-116010C	SWORKz Competition 5x10x4mm Ball Bearing (Metal Case) (6PC)		
SWC-116019A	SWORKz Competition 5x13x4mm Ball Bearing (Metal Case) (4PC)		
SWC-116019B	SWORKz Competition 5x13x4mm Ball Bearing (Metal Case/Japan) (4PC)		

S35-4

1/8 Off Road Nitro Power Pro Buggy



SPEEDMASTER HOBBY CO., LTD.

TEL: +886-3-538-7638

FAX: +886-3-538-7328

No.42, Ruiguang St., Xiangshan Dist.,
Hsinchu City 300, Taiwan (R.O.C.)

www.sworkz.com